

# Del Morino®

FARM & GARDEN EQUIPMENT



**Del Morino S.r.l.**

Via Caroni di Sotto, 19

Cap 52033 - Caprese Michelangelo - AR

Tel: +39-575-791059 Fax: +39-575-791210

Web: <http://www.del-morino.it> e-mail: [export@del-morino.it](mailto:export@del-morino.it)

## USE AND MAINTENANCE MANUAL

# FLAIL MOWER WITH HORIZONTAL AXLE FLIPPER



IT

EN

FR

DE

ES

RU



## PREFACE

**DEL MORINO SRL**

Caroni di Sotto, 19 - I-52033 Caprese Michelangelo AR Italy  
Phone: +39-575-791059 - Fax: +39-575-791210  
Website: <http://www.delmorino.it> – e-mail: [export@delmorino.it](mailto:export@delmorino.it)

All rights reserved  
Printed in Italy

DEL MORINO SRL thanks you for choosing us and for confidence in the quality of our implements.

IT

EN

FR

DE

ES

RU

### This manual is an integral part of the implement

It must always come with the implement and be at user's disposal.  
All attachments are integral part of the manual.

### The purpose of this manual

This manual provides information for the correct and safe use of the implement.  
The owner must read this manual carefully before working with the implement.

### Responsibility of the owner

The owner is responsible for accidents or damages caused to people or things due to negligence in following the instructions of this manual.

### Assistance in using this manual

Explanations: contact the dealer.

Request for additional copies of the manual: in case of loss or wear and tear, or in case the manual is needed in a different language, ask the dealer or the manufacturer.

### Pay attention to the warning labels



**DANGER:** indicates an imminent dangerous situation which, if not avoided, will cause death or serious injury and/or damage.



**WARNING:** indicates a potentially dangerous situation which, if not avoided, will cause death or serious injury and/or damage.



**CAUTION:** indicates a potentially dangerous situation which, if not avoided, can cause minor to moderate damage or it warns about an unsafe procedure.



**IMPORTANT:** indicates instructions that must be followed precisely in order to avoid damage to the product, process or environment.



**NOTE:** indicates supplementary information.

## DESCRIPTION

### FIELD OF USE

The implement is reversible thanks to the 3-point hitch that can be disassembled and the gearbox with double extended shaft. The implement can perform several functions according to the tools, such as cutting grass, mowing weeds, stalks, edges etc.

The use of a technical constructive concept aimed at reaching high performances, reliability and durability improves the efficiency in terms of power/tractor consumption ratio, thanks to the rigidity of the implement frame, the shape of the tools, the perfect dynamic balancing of the rotor and many others original technical solutions.

### PERFORMANCES

The implement is connected to the tractor through the 3-point hitch and a PTO shaft. The first one allows the implement to side-shift, the second one, connected to the tractor PTO, allows the rotation of the shaft.

The working width is fixed and is determined by the model.

The cutting height is adjustable.

The working area can be centered or can be side shifted in relation to the longitudinal axe of the tractor, depending on the presence of the hydraulic side-shift.

The rear roller regulates the cutting height and compacts the cut material.

### PERFORMANCE LIMITS

- Max speed: 5 km/h (3 mph). Speed higher than that indicated may compromise the integrity of the implement, the quality of the work and the safety of the operator.
- Max power applicable to the gearbox: 22 kW  $\pm$  5% to 540 RPM, 43 kW  $\pm$  5% to 1000 RPM. Power higher than that indicated can damage the gearbox irreparably, especially if you are performing heavy-duty work.

### STANDARD FEATURES

- Standard PTO shaft.
- Free wheel device integrated in the gearbox.
- Reversible 3-point hitch.
- Rear roller adjustable in 3 positions.
- Adjustable skids.

### VARIANTS & ACCESSORIES

- Tools: spatulas.
- Tools: blades.
- Tools: hammers.
- Kit for hydraulic side-shift.
- Kit for side-shift by screw.
- 1000 RPM gearbox.

TECHNICAL FEATURES

SPECIFICATIONS PER MODEL

Model	Type	Power		Working width		Weight		Dimensions A x B x H		N° tools	N° RPM rotor
		Hp	kW	cm	in	kg	lbs	cm	in		
<b>FLIPPER SPATULAS</b>	80	15-25	12-19	80	32	153	337	94x82x72	38x33x29	12	2410
	106	15-25	12-19	106	42	170	375	120x82x72	48x33x29	16	2410
	132	20-40	15-30	132	52	243	536	146x82x78	58x33x31	20	2410
	158	25-50	19-38	158	63	254	560	172x82x78	68x33x31	24	2410
	186	30-60	23-45	186	74	299	659	198x82x78	78x33x31	28	2410
	214	35-70	27-53	214	85	361	796	224x82x78	89x33x31	32	2410
<b>FLIPPER BLADES</b>	80	15-25	12-19	80	32	153	337	94x82x72	38x33x29	24	2410
	106	15-25	12-19	106	42	170	375	120x82x72	48x33x29	32	2410
	132	20-40	15-30	132	52	243	536	146x82x78	58x33x31	40	2410
	158	25-50	19-38	158	63	254	560	172x82x78	68x33x31	48	2410
	186	30-60	23-45	186	74	299	659	198x82x78	78x33x31	56	2410
	214	35-70	27-53	214	85	361	796	224x82x78	89x33x31	64	2410
<b>FLIPPER HAMMERS</b>	80	15-25	12-19	80	32	153	337	94x82x72	38x33x29	12	2410
	106	15-25	12-19	106	42	170	375	120x82x72	48x33x29	16	2410
	132	20-40	15-30	132	52	243	536	146x82x78	58x33x31	20	2410
	158	25-50	19-38	158	63	254	560	172x82x78	68x33x31	24	2410
	186	30-60	23-45	186	74	299	659	198x82x78	78x33x31	28	2410
	214	35-70	27-53	214	85	361	796	224x82x78	89x33x31	32	2410

## SAFETY INFORMATION

### GENERAL REQUIREMENTS



**ATTENTION:** To prevent damage due to the launch of objects or parts of blades, before starting to work, be sure that no persons or animals are within a radius of 50 meters (164 ft) from the implement.

- Work only during daytime.
- Wear long trousers and heavy shoes.
- The protective flaps and other devices are integral part of the implements: never work without the protective flaps or devices.
- Make sure that there are no stones, sticks, iron wires, etc on the ground.
- Pay attention when using the implement on slopes: proceed in the direction of the maximum slope and never work in oblique direction.
- Before leaving the driver's seat, disengage the engine-shaft transmission and turn off the engine.
- Check the implement immediately if it hits foreign objects.
- Check the implement immediately if it begins vibrating strongly.
- Change defective parts immediately.

### ATTENTION, DANGER!

The gearbox is equipped with a free-wheel device. After stopping the PTO, the rotor continues to spin for at least 30 seconds: before approaching the tools make sure that the rotor has stopped turning.

### ATTENTION!

To prevent damage to the PTO shaft and to the gearbox, do not start the implement roughly.

### SAFETY RESTRICTIONS

Do not allow children or people who are unfamiliar with the instructions to use the implement.

Local regulations may restrict the use of the implement based on age.

### RUNNING IN

The new implement must be broken in.

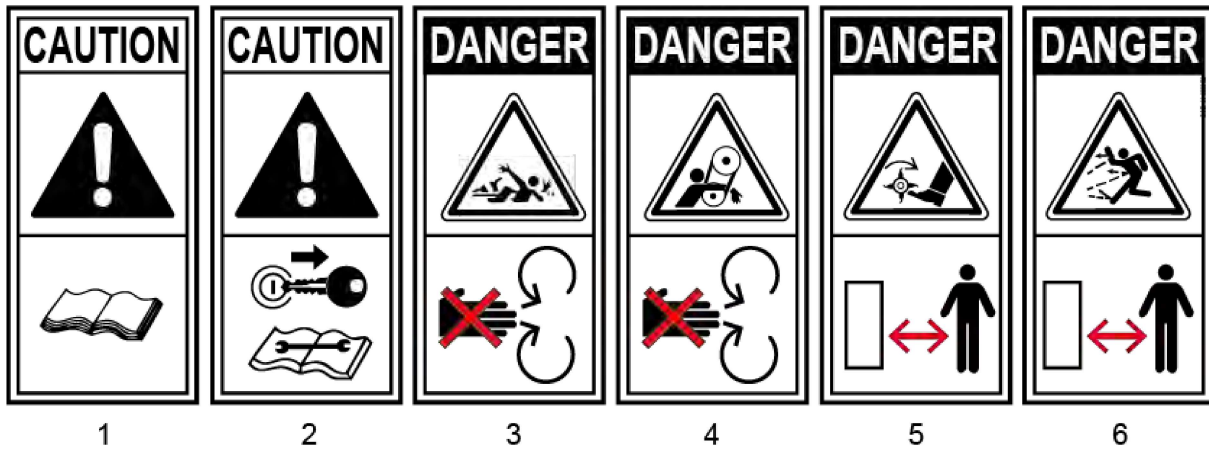
During first usage, attach the implement to the tractor, connect the PTO shaft, lower the implement to 15 cm (6 in) from the ground, start the PTO and gradually increase the RPM to 540.

Let the implement run for about 15 minutes.

It is normal to hear a hiss coming from the supports, it is due to the adjustment of the protections, it will disappear shortly.

## SAFETY LABELS ON THE IMPLEMENT

In this section, the safety labels of the implement are reproduced and explained.



Pic. 1

### Legend

1. Read the manual.
2. Remove the key from the ignition of the tractor before performing maintenance or repairs.
3. Stay at a safe distance from the PTO shaft.
4. Stay at a safe distance from the transmission belts.
5. Stay at a safe distance from the tools.
6. Stay at a safe distance: possible flying objects.

### The safety labels on the implement must be always legible

If damaged, the labels must be replaced.

If parts of the implement with the safety labels are replaced, the labels must be replaced as well.

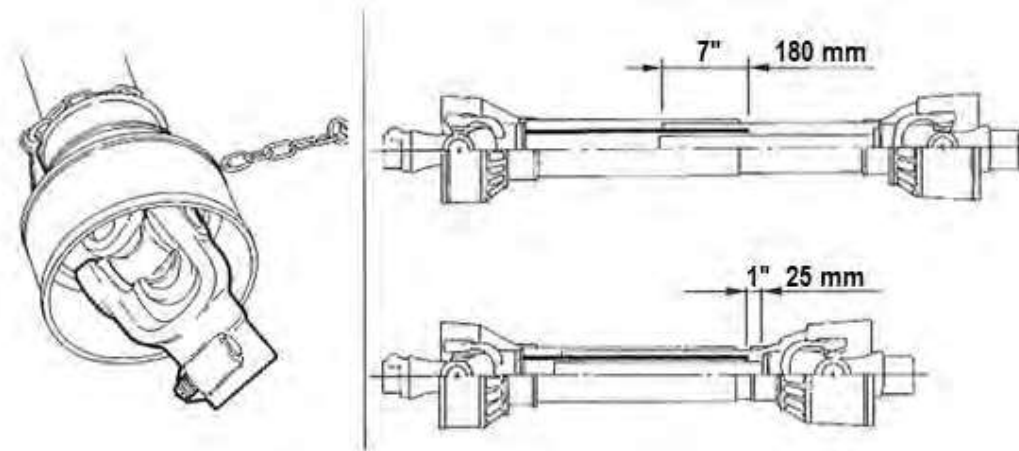
### Supply of new labels and application procedure

Contact your dealer to obtain new safety labels with instructions for application.



## PTO SHAFT

## CHECK THE LENGTH OF THE PTO SHAFT



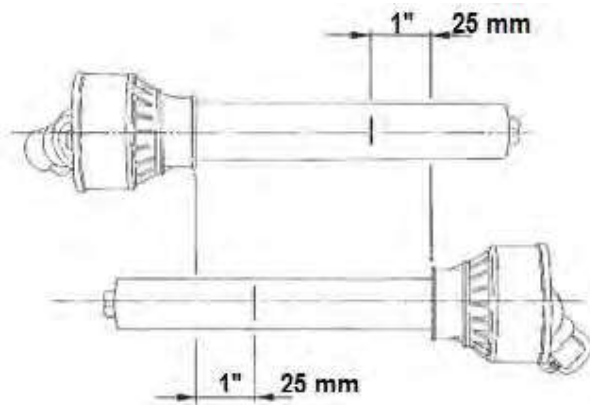
Pic. 2

1. Connect the implement to the 3-point hitch and adjust it so that it is level and centered on the tractor.
2. Insert the PTO shaft between the PTO of the tractor and the implement.
3. Verify that the length of the PTO shaft is correct.
4. To do so, check that the minimum overlap between the inner and outer tube is not less than 180 mm (7 in) in every working position; at the same time, when the shaft is not extended, it should be able to move at least 25 mm (1 in).
5. If the minimum coupling distance is less than 180 mm (7 in), the PTO shaft is short and must be replaced with a longer one.
6. If the PTO shaft is not able to move at least 25 mm (1 in) when is not extended, it is long and must be shortened.



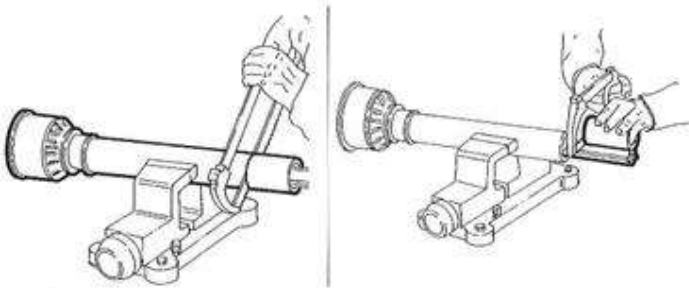
**IMPORTANT:** shortening the PTO shaft is complicated and must be carried out carefully following the instructions in the next chapter, otherwise the PTO shaft may be damaged.

## HOW TO SHORTEN THE PTO SHAFT



Pic. 3

1. Using the hydraulic lift, bring the implement as close as possible to the tractor.
2. In this position, block the lift and turn off the engine.
3. Pull the two parts of the PTO shaft completely apart.
4. Attach the female semi-cardan (tube with larger diameter) into the PTO.
5. Attach the male semi-cardan (tube with smaller diameter) into the implement.
6. With the two parts parallel, use a felt pen to mark the cutting point, as shown in Pic. 3.



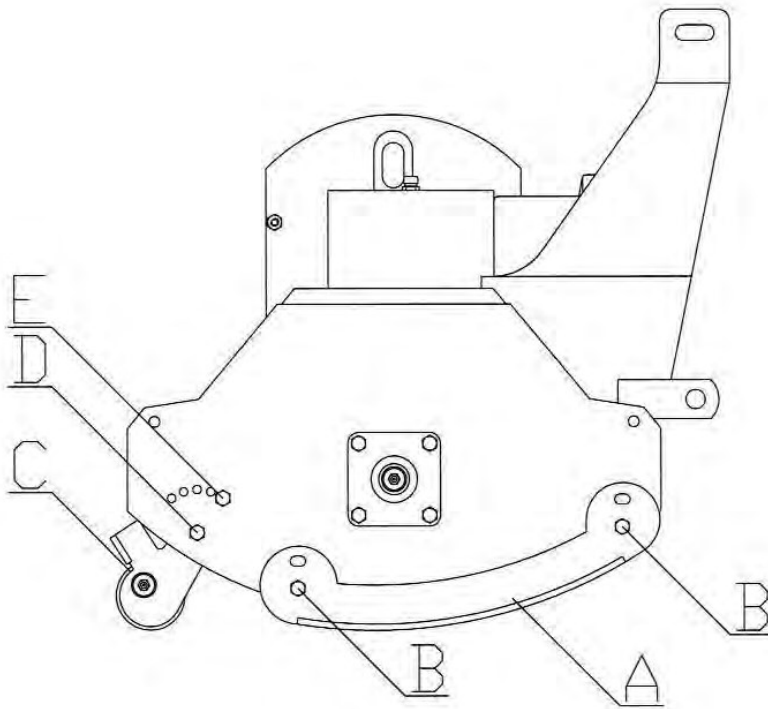
Pic. 4

1. Cut the plastic tube of one of the semi cardan with a hacksaw on the cutting line (see 6 above).
2. Align the cut plastic tube with the end of the metal tube and then cut it.
3. Repeat the same operations on the other section of the PTO shaft.
4. Use a file to smooth down the edges of the metal tubes.
5. Clean and grease the two metal tubes and then insert one section into the other.
6. Install the PTO shaft between the tractor and the implement, then verify the length again.

## INSTRUCTIONS FOR USE

## BEFORE STARTING TO WORK

- Adjust the skids and the roller as follows:
  1. Unscrew the screws "B" and remove them.
  2. Choose the desired position of the skid.
  3. Reposition the screw "B" and tighten them.
  4. Repeat the same operations on the other side of the implement, making sure that the two skids are adjusted in the same position.
- Adjust the cutting height as follow:
  1. Loosen the screw "D".
  2. Unscrew the screw "E" and remove it.
  3. Choose the position of roller "C": moving it forward the cutting height decreases, and the cut grass goes above the roller; moving it backward the cutting height increases, and the cut grass goes under the roller.
  4. Insert and tighten screw "E", tighten screw "D".
  5. Repeat the same operations on the other side of the implement, making sure that the roller is adjusted in the same way.



Pic. 5

- Hook the implement to the tractor as follows:
  1. Remove the safety pins then take out the pins from the two lower connection points of the implement.
  2. Rise the lower link arms of the tractor to the level of the lower connection points of the implement, insert the pins and lock with the safety pins.
  3. Connect the top link of the tractor to the upper link of the implement, insert the pin and lock with safety pin.
  4. \* **Only for implements equipped with hydraulic side-shift:** connect the 2 quick couplings to the rear hydraulic connections of the tractor.
- With the implement raised, go to the work site.
- Connect the PTO shaft to the tractor PTO and the implement gear box.
- Check that the chains of the PTO cover are attached to the tractor to prevent from rotating.

## START WORKING

- Make sure that there is no one within a radius of 50 meters (164 ft) around the implement.
- Insert the PTO and increase the rotation speed gradually to its normal speed.
- Lower the implement until the rear roller touches the soil.
- Start working.

## AT THE END OF THE WORK

- Stop the tractor and the PTO shaft. Wait for at least 30 seconds until the rotor has completely stopped.
- Lift the implement up.
- Disconnect the PTO.
- Disconnect the PTO shaft from the PTO of the tractor.
- Lift the implement fully.

## USING THE HYDRAULIC SIDE-SHIFT



**ATTENTION:** before activating the hydraulic side-shift, it is **COMPULSORY** to lift the implement from the ground to avoid any damage to the 3-point hitch of the hydraulic side-shift.

## MAINTENANCE INSTRUCTIONS

Maintenance operations and their corresponding intervals are listed in sheet "A".

Not following the schedule maintenance intervals jeopardizes the proper functioning of the implement, thus voiding the guarantee.

### SHEET "A" SCHEDULED MAINTENANCE

	FIRST USE	AFTER 10 H.	EVERY 30 H.	EVERY 500 H.	END OF THE SEASON	BEGINNING OF WORK	END OF WORK
<b>IMPLEMENT</b>	Greasing		Greasing		Cleaning Greasing		Cleaning
<b>GEARBOX</b>	Oil level	Topping	Oil level	Oil change			
<b>SCREWS</b>		Tightening	Tightening				
<b>TOOLS</b>			Check		Check	Check	Check
<b>BELTS</b>		Check tension		Replacement			



**NOTE:** transmission belts will stretch during the first hour of operation.

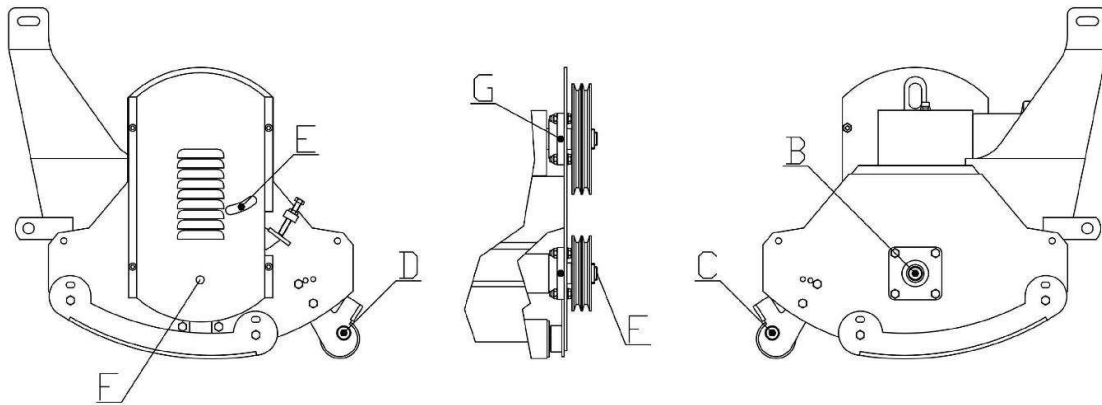
After the first use, the belts tension must be checked and adjusted according to the instructions in paragraph 4 to prevent the belts from wearing out prematurely due to excessive slipping.

## 1. GREASING

Grease points "B" "C", "D", "E", "F", "G" as indicated the in sheet "A".

Greasing points are equipped with a HYDRAULIC GREASER MODEL "A" UNI 7663.

Use only MULTIFUNCTIONAL LITHIUM-BASED OIL TYPE NLGI 2.



Pic. 6

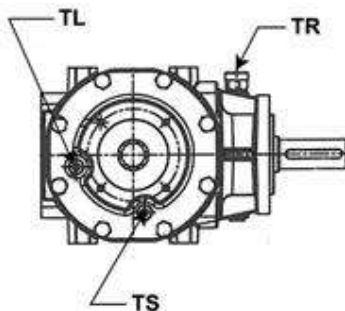
## 2. OIL LEVEL - OIL CHANGE

Check the oil level in the gearbox or replace it as indicated in sheet "A".

To top up the oil, use only SAE 90 OIL.

Gearbox capacity: 0,8 L.

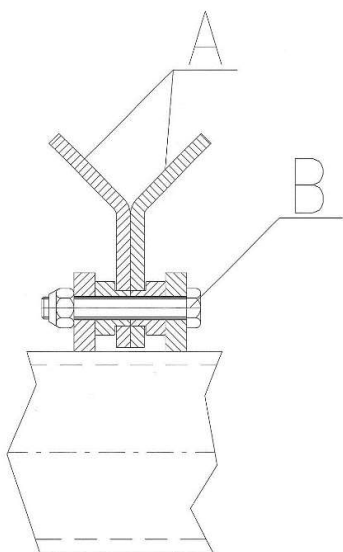
- To check the oil level in the gearbox, proceed as follows:
  1. The implement must be on a flat surface. After removing the plastic protection on the front of the gearbox, unscrew the cap "TL" and check that the oil level is just below the edge of the hole.
  2. If the level is OK, tighten the cap "TL" carefully.
  3. If the level is low, unscrew the cap "TR" and top it up.
  4. Upon completion tighten the caps "TL" and "TR" carefully and replace the plastic protection.
- To replace the oil in the gearbox, proceed as follows:
  1. Remove the protection on the front of the gearbox, unscrew the caps "TL", "TR" and the drain cap "TS". Wait until all the oil is out.
  2. Replace the drain cap "TS" and add the new oil through the hole of cap "TR".
  3. Upon completion tighten the caps "TL" and "TR" carefully and replace the plastic protection.



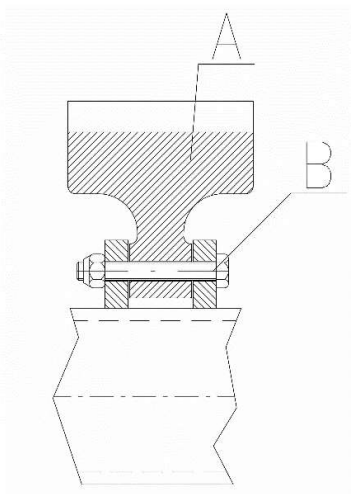
Pic. 7

### 3. BLADES REPLACEMENT

- To replace the blades, proceed as follows:
  1. Unscrew the nut and remove the bolt "B".
  2. Remove the blades "A" with the corresponding spacers.
  3. **ATTENTION:** if the implement is equipped with spatulas or hammers, there are no spacers.
  4. Place the new blade.
  5. Insert the bolt "B" and tighten the nut.
  6. **ATTENTION:** all blades must be of the same type.
  7. **ATTENTION:** if you change the type of blade, the rotor must be rebalanced.



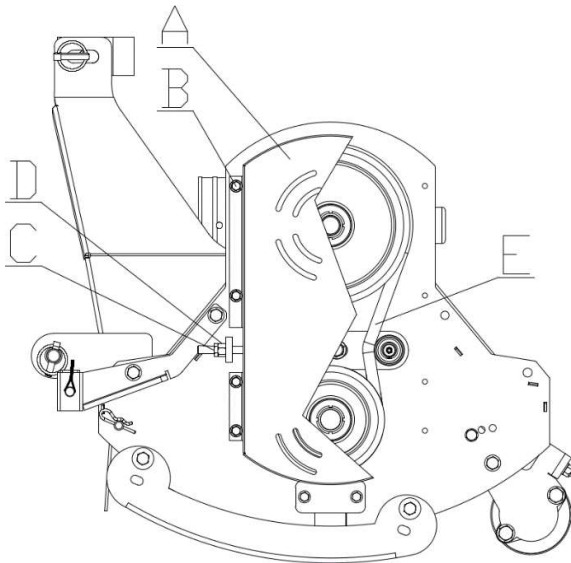
Pic. 8



Pic. 9

#### 4. ADJUSTMENT AND REPLACEMENT OF THE TRANSMISSION BELTS

- To adjust the tension of the transmission belts, proceed as follows:
  1. Remove the belt cover "A" unscrewing the 8 screws "B".
  2. Unscrew locknut "C", tighten screw "D" to stretch the belts or unscrew it to loosen them. The tension is correct when you pull the sides of the belts with your thumb and they give away to a few millimeters.
  3. Once the belts are adjusted, tighten locknut "C" and mount belt cover "A".
- To replace the transmission belts, proceed as follows:
  1. Remove the belt cover "A" unscrewing the 8 screws "B".
  2. Unscrew the locknut "C" and unscrew the adjustment screw "D" completely.
  3. Remove the 2 worn out belts "E".
  4. **ATTENTION:** to avoid tension problems, the belts must be replaced with original belts, whose are shown in the "SPARE PARTS LIST".
  5. Repeat operations "2" and "3" from the previous point.
  6. Check the tension of the new belts after 30 minutes of operation.



Pic. 10



## TROUBLESHOOTING

MALFUNCTIONS	CAUSE	SOLUTION
<b>Abnormal vibrations</b>	1) Unbalanced rotor. 2) Loss of one or more tools. 3) Worn out bearings.	1) Contact the dealer. 2) Replace missing tools. 3) Replace worn out bearings.
<b>Irregular or unsatisfactory cutting</b>	1) Worn out tools. 2) Incorrect choice of tools.	1) Replace worn out tools. 2) Replace them with another type.

IT

EN

FR

DE

ES

RU

## VARIOUS INFORMATION

### TRANSPORT

Outside its normal field of use, the implement must be moved with the PTO disengaged.



**IMPORTANT:** proceed at moderate speed avoiding holes and rough surfaces.



**NOTE:** on the road, abide by the traffic laws. Attach labels to the rear side of the implement indicating the contour of the implement. Abide by all local regulations.



**ATTENTION:** secure the lifting bars of the tractor with chains and parallel tensioners to prevent the bars from moving side to side.

### DEPOSIT

Store the implement in a dry and not dusty place.

### INFORMATION ABOUT DEMOLITION



At the end of its working life, the implement must be demolished and that can only be done by an authorized authority, in accordance with the national laws about the environment. Therefore, it is necessary to get information from qualified local authorities about the procedure to follow. The implement is mainly composed of iron materials, rubber and epoxide paints.

### WARRANTY

The implement is covered by the manufacturer warranty for 24 months.

The warranty is void if:

- a) The implement has not been regularly maintained.
- b) The implement has been used outside its field of use.
- c) The implement has been modified without the prior written permission of the manufacturer.

WORK AND MAINTENANCE SHEET

Every user should register the facts about the history of the implement (both operation and maintenance) on this sheet, to verify its conditions.

DATE	HOURS OF OPERATION	MAINTENANCE	NOTES	OPERATOR

IT  
EN

FR

DE

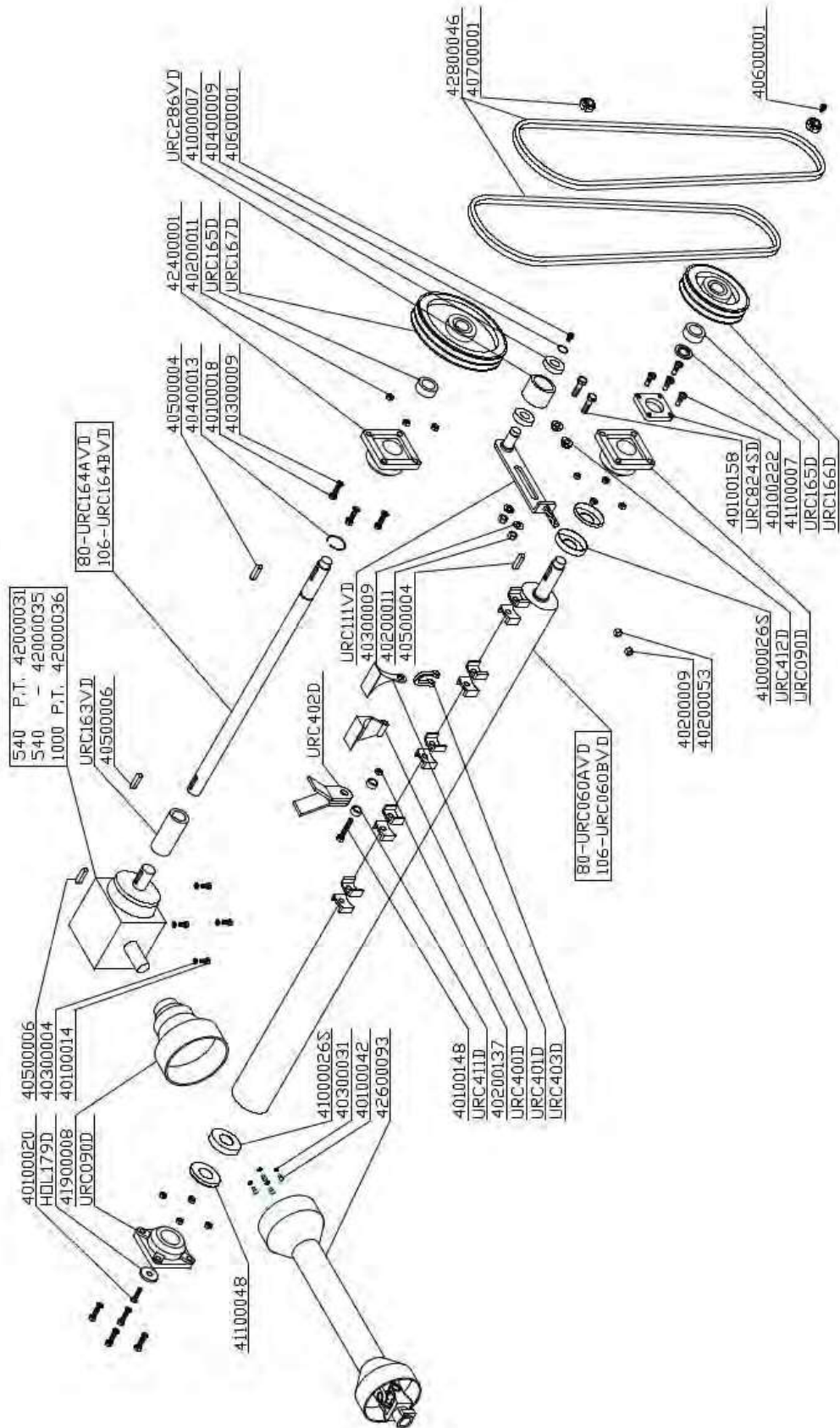
ES

RU

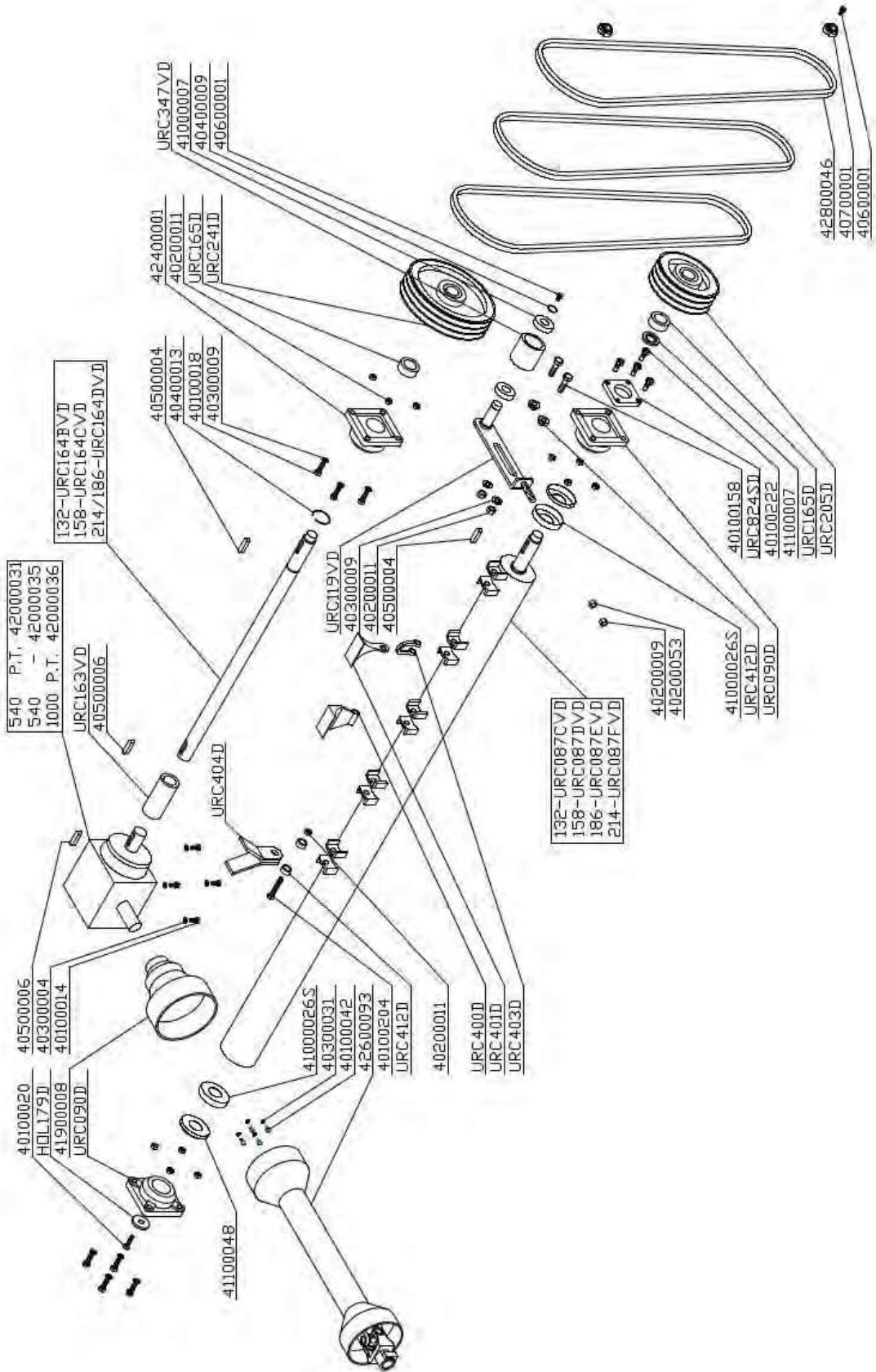
## IMPLEMENT SPARE PARTS

Following is the technical parts breakdown of the components of the implement and its accessories.

FLIPPER 80-106 MECHANISMS

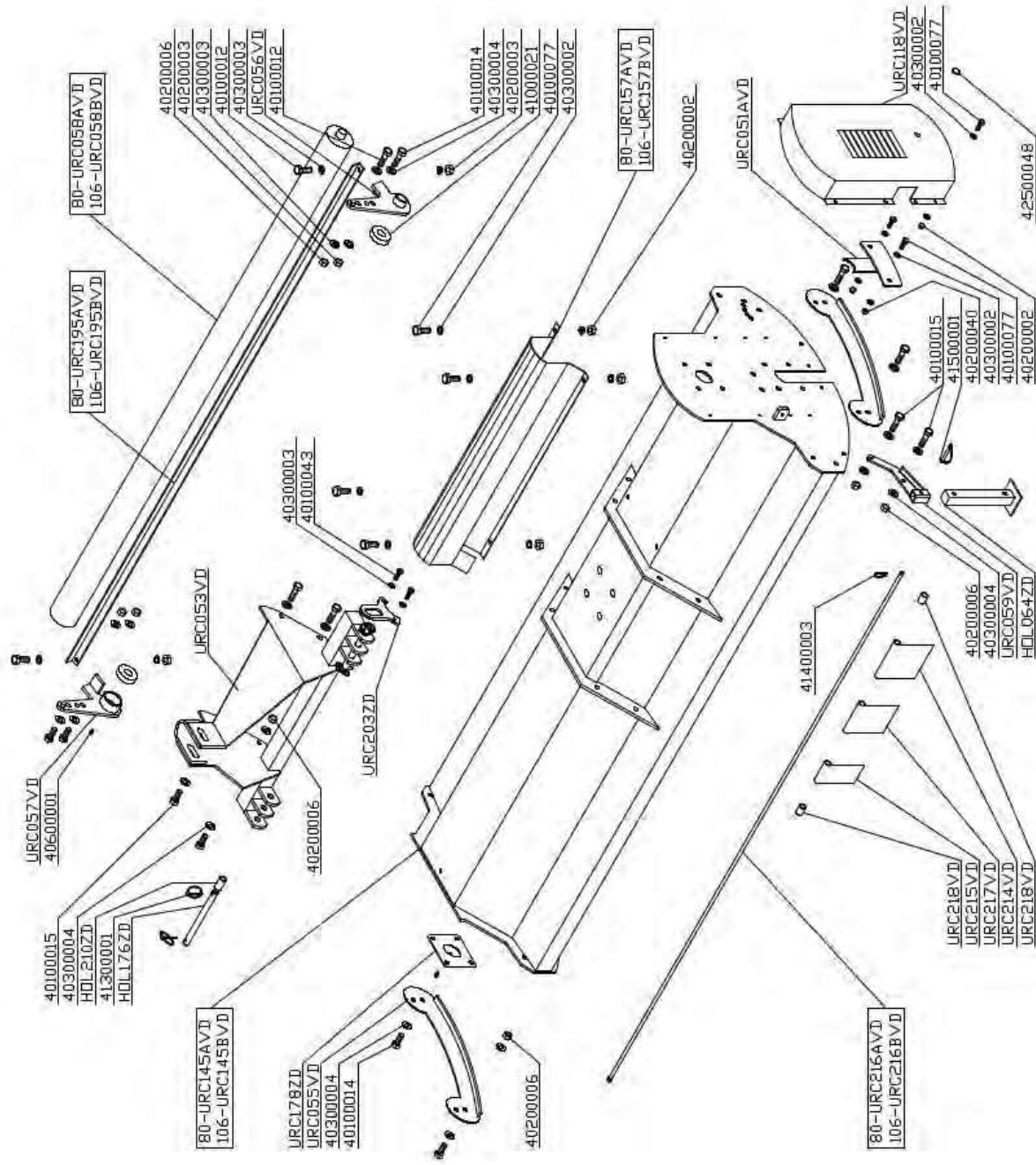


FLIPPER 132-158-186-214 MECHANISMS



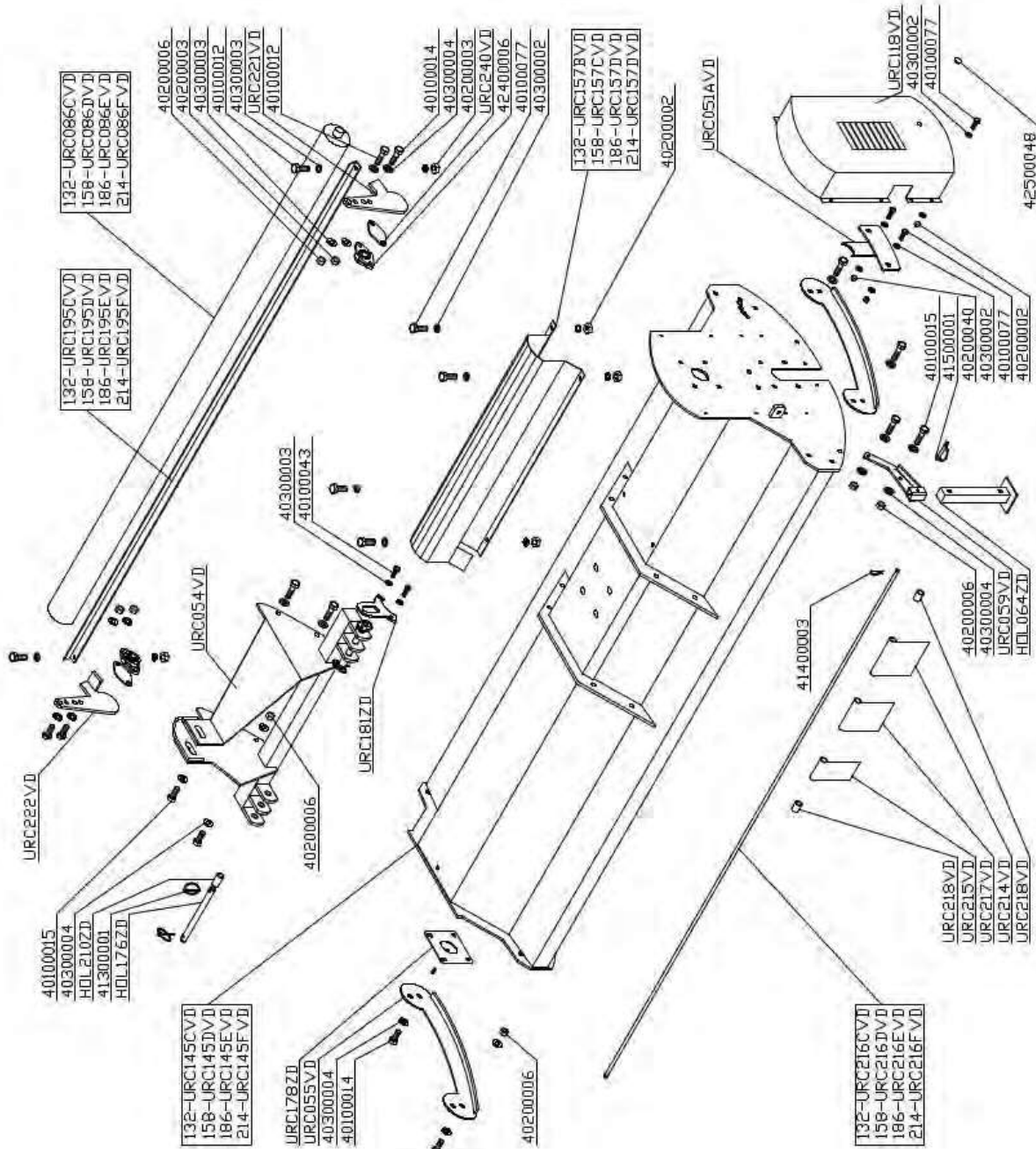


FLIPPER 80-106 SHEETS



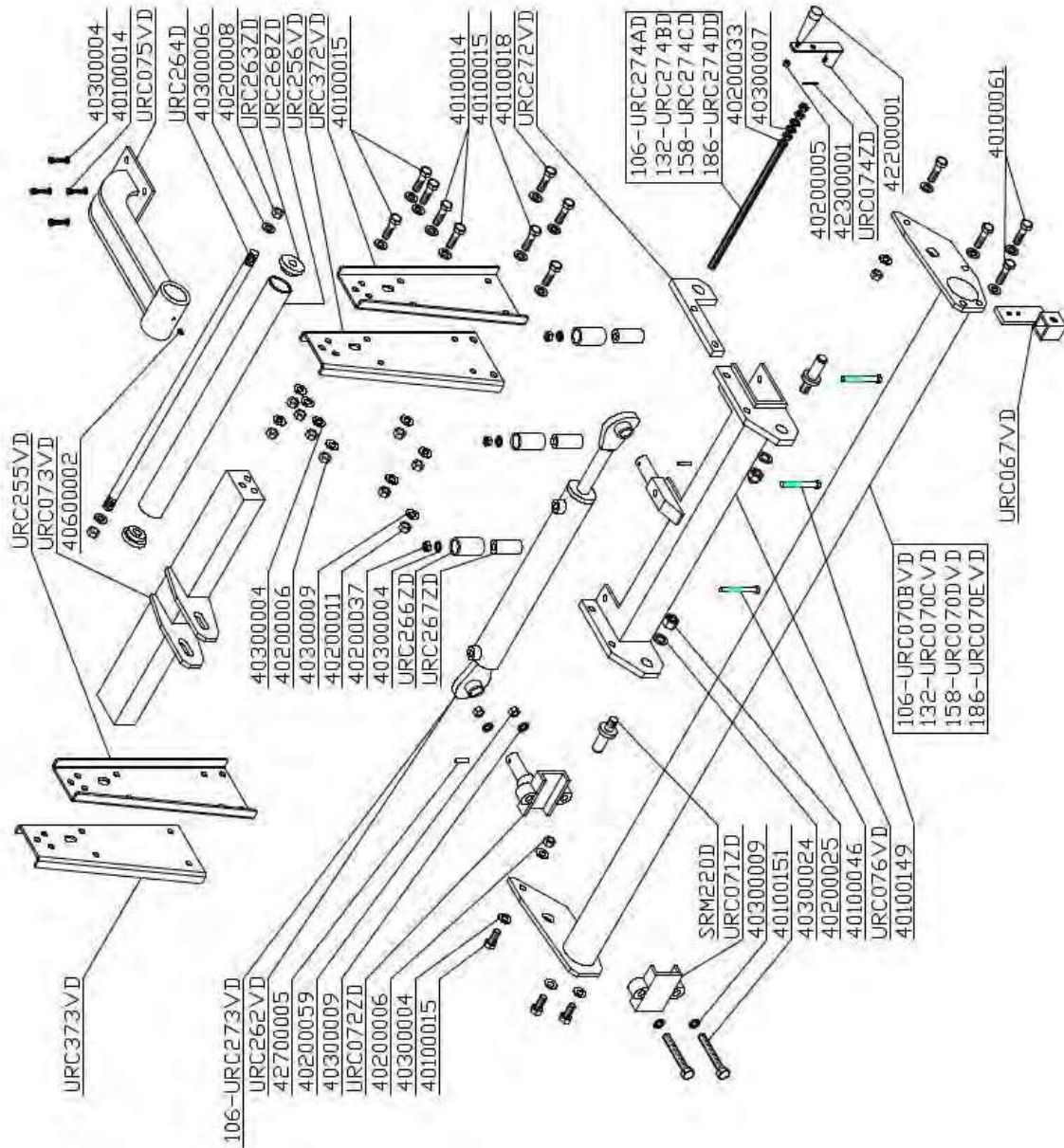
RU ES DE FR EN IT

FLIPPER 132-158-186-214 SHEETS





FLIPPER 106-132-158-186 HYDRAULIC/MECHANIC SIDE-SHIFT KIT



IT

EN

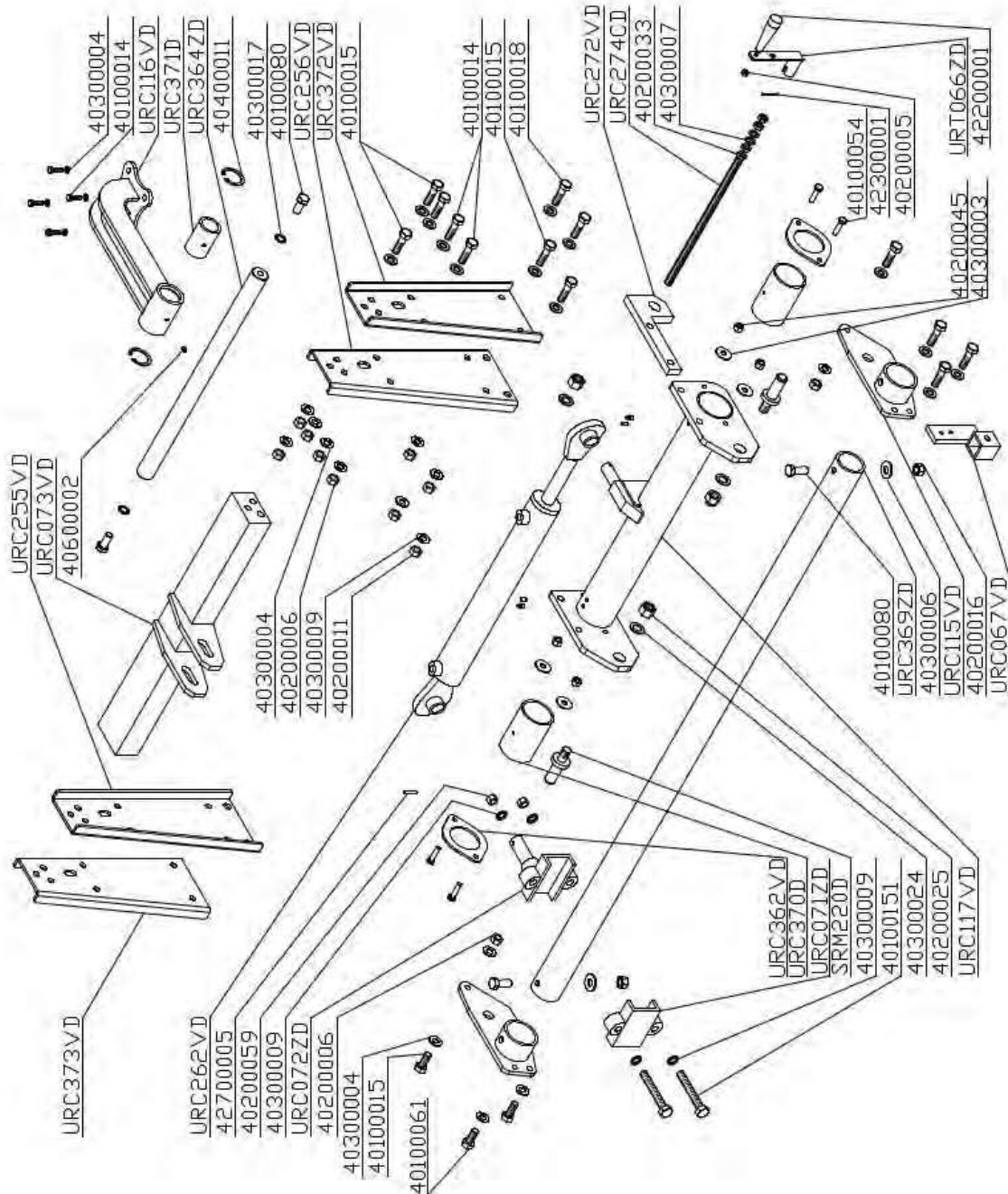
FR

DE

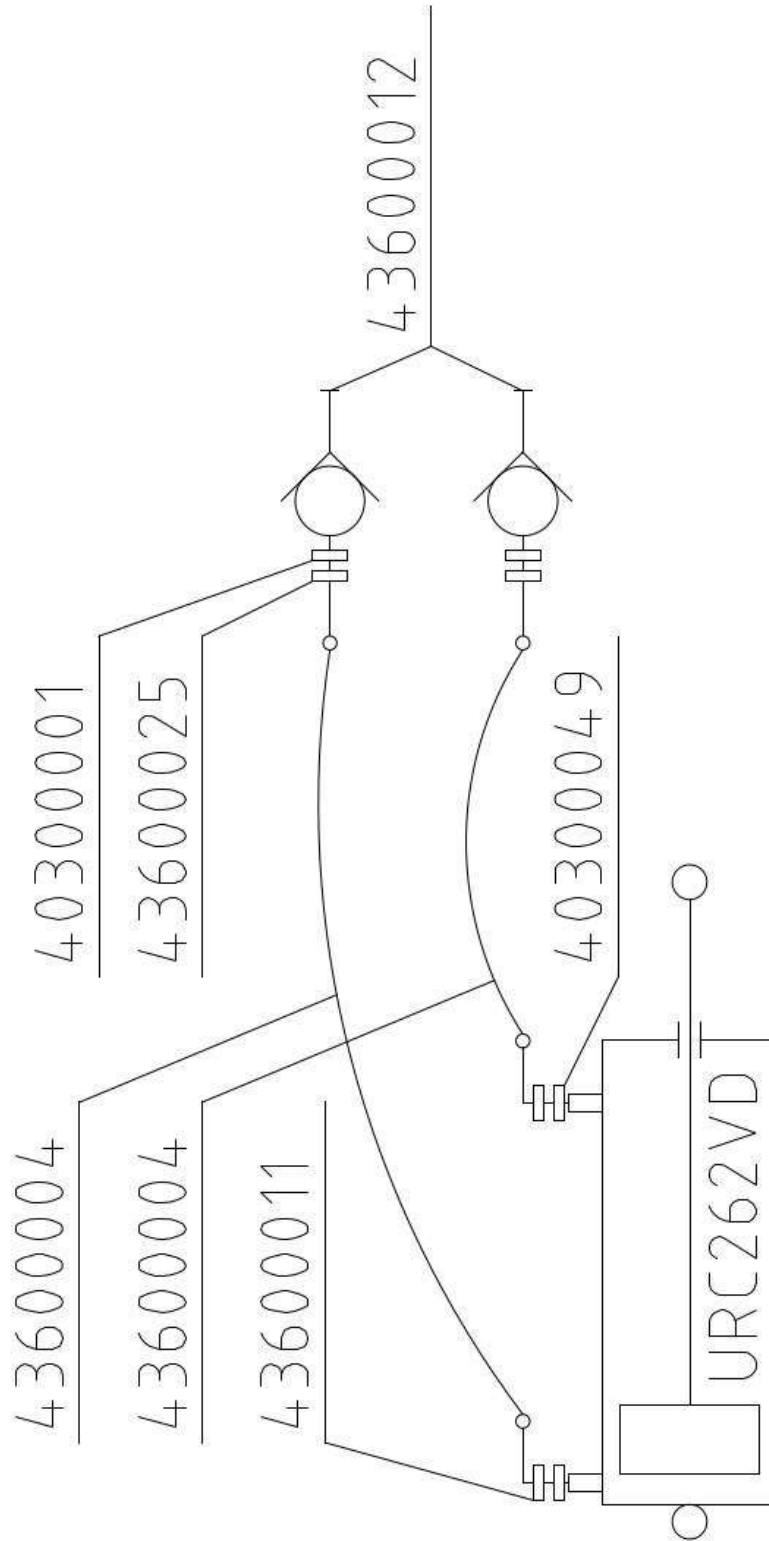
ES

RU

FLIPPER 214 HYDRAULIC/MECHANIC SIDE-SHIFT KIT



HYDRAULIC SYSTEM



## SPARE PARTS LIST

FLIPPER							
Code	Description	Quantity					
		80	106	132	158	186	214
40100012	SCREW UNI 5739 M 10X30	6	6	5	5	5	5
40100014	SCREW UNI 5739 M 12X30	10	10	10	10	10	22
40100015	SCREW UNI 5739 M 12X35	5	5	5	5	5	5
40100018	SCREW UNI 5739 M 14X40	7	7	8	7	7	11
40100020	SCREW UNI 5933 M 12X25	1	1	1	1	1	1
40100023	SCREW UNI 5739 M 12X40			8			6
40100035	SCREW UNI 5739 M 16X45			4	4	4	4
40100042	SCREW UNI 5739 M 8X16	8	8	8	8	8	8
40100043	SCREW UNI 5739 M 10X25	2	2	2	2	2	2
40100054	SCREW UNI 5739 M 10X35			2			
40100076	SCREW UNI 5739 M 8X25	2	2	2	2	2	2
40100077	SCREW UNI 5739 M 8X20	8	8	8	8	8	8
40100095	SCREW UNI 5737 M 12X130						1
40100145	SCREW UNI 5739 M 14X55	1	1	1	1	1	1
40100158	SCREW UNI 5739 M 14X45	2	2	2	2	2	2
40100160	SCREW UNI 5933 M 14X45	4	4	4	4	4	4
40100166	SCREW UNI ISO 7380 M 6x6 GR	1	1	1	1	1	1
40200002	NUT M8 DIN 980 CONELOX	10	10	12	10	10	10
40200003	NUT M10 DIN 980 CONELOX	9	9	10	9	9	9
40200006	NUT M 12 DIN 980 CONELOX	8	8	14	7	7	21
40200008	NUT M 16 DIN 980 CONELOX			4	4	4	4
40200011	NUT M 14 DIN 980 CONELOX	14	14	14	14	14	16
40200059	LOCKNUT M 14 DIN 982						2
40300002	WASHER D 8 UNI 6592	20	20	28	20	20	20
40300003	WASHER D 10 UNI 6592	14	14	12	12	12	12
40300004	WASHER D 12 UNI 6592	26	26	26	26	26	61
40300006	WASHER D16 UNI 6592			4	4	4	4
40300009	WASHER D14 UNI 6592	6	6	8	6	6	14
40300031	WASHER D 8X24X2	8	8	8	8	8	8
40400007	SEEGER E25 UNI 7435				1	1	
40400009	SEEGER E20 UNI 7435	1	1	1			1
40400011	SEEGER INNER 52 UNI 7438						2
40400013	SEEGER E35X2,5 UNI 7436-75	1	1	1	1	1	1
40500004	KEY UNI 6604 A-10X8X35	2	2	2	2	2	2
40500006	KEY UNI 6604 A-10X8X45	1	1	1	1	1	1
40600001	GREASER UNI 7663 A-M 6X1	5	5	5	5	5	5
40600002	GREASER UNI 7663 A-G 1/8						1
40600003	GREASER UNI 7663 A-M8 ZN	1	1	1	1	1	3
40700001	METAL RING GUK M 30X1,5	2	2	2	2	2	2
41000007	BEARING	2	2	2	2	2	2
41000021	BEARING	2	2				
41000026	GE 45 DUST COVER WITHOUT HOLE	2	2	2	2	2	2
41100007	OIL SEAL 45X65X8	1	1	1	1	1	1

41100048	NYLON SEAL Ø 71,5 PER UCF 207	2	2	2	2	2	2
41300001	SPRING PIN D.10	4	4	4	4	4	
41400003	SPLIT PIN R D4	1	1	1	1	1	1
41500001	PIN D 10	1	1	1	1	1	1
41900007	PROTECTIVE HOOD PTO YELLOW- MEC. 17/501	1	1	1	1	1	1
41900011	PROTECTION WITHOUT HOLES	1	1	1	1	1	1
42000031	GEAR BOX 9.310.870.00 540 PT	1	1	1	1	1	1
42400001	SUPPORT UCF 207 FK	1	1	1	1	1	1
42400006	SUPPORT UCFL 205 FK			2	2	2	2
42500002	WING PUSH ROD - POL. 3101 30X30	1	1	1	1	1	1
42500031	PLUG 14X1-2	9	9	7	7	7	7
42500048	BLACK PVC PLUG TPV 25,4	1	1	1	1	1	1
42800046	V BELT SPB X 1250	2	2	3	3	3	3
43300002	BLIND RIVET D 4x12	2	2	2	2	2	2
43700012	SPRING PIN WITH CHAIN 98108	1	1	1	1	1	1
DMK186D	HITCH PIN - II CAT.						2
HOL064ZD	STAND SUPPORT	1	1	1	1	1	1
HOL176ZD	HITCH PIN	2	2	2	2	2	
HOL179D	ROTOR LEFT LOCK	1	1	1	1	1	1
HOL210ZD	HITCH SPACER	2	2	4	4	4	
URC051AVD	RIGHT SIDE PLUG	1	1				
URC051BVD	RIGHT SIDE PLUG			1	1	1	1
URC053VD	III POINT HITCH	1	1				
URC054VD	III POINT HITCH			1	1	1	
URC055VD	SKID	2	2	2	2	2	2
URC056VD	ROLLER RIGHT SUPPORT	1	1				
URC057VD	ROLLER LEFT SUPPORT	1	1				
URC058AVD	LEVELLING ROLLER	1					
URC058BVD	LEVELLING ROLLER		1				
URC059VD	STAND SUPPORT	1	1	1	1	1	
URC060AVDC	ROTOR 80 WITH Y-BLADES	1					
URC060AVDM	ROTOR 80 WITH HAMMERS	1					
URC060AVDS	ROTOR 80 WITH SPATULA	1					
URC060BVDC	ROTOR 106 WITH Y-BLADES		1				
URC060BVDM	ROTOR 106 WITH HAMMERS		1				
URC060BVDS	ROTOR 106 WITH SPATULA		1				
URC067VD	SUPPORT						1
URC073VD	III POINT BAR						1
URC078VD	LOCK DISPLACEMENT						1
URC086CVD	ROLLER			1			
URC086DVD	ROLLER				1		
URC086EVD	ROLLER					1	
URC086FVD	ROLLER						1
URC087CVDC	ROTOR 132 WITH Y-BLADES			1			
URC087CVDM	ROTOR 132 WITH HAMMERS			1			
URC087CVDS	ROTOR 132 WITH SPATULA			1			
URC087DVDC	ROTOR 158 WITH Y-BLADES				1		
URC087DVDM	ROTOR 158 WITH HAMMERS				1		
URC087DVDS	ROTOR 158 WITH SPATULA				1		

IT

EN

FR

DE

ES

RU



URC087EVDC	ROTOR 186 WITH Y-BLADES					1	
URC087EVDM	ROTOR 186 WITH HAMMERS					1	
URC087EVDS	ROTOR 186 WITH SPATULA					1	
URC087FVDC	ROTOR 214 WITH Y-BLADES						1
URC087FVDM	ROTOR 214 WITH HAMMERS						1
URC087FVDS	ROTOR 214 WITH SPATULA						1
URC111VD	TIE ROD	1	1				
URC115VD	BRACKET						2
URC116VD	III POINT HITCH BRACKET						1
URC117VD	HITCH BRACKET						1
URC118VD	BELT CARTER	1	1	1	1	1	1
URC119VD	BELT TENSIONER			1	1	1	1
URC145AVD	FRAME 80	1					
URC145BVD	FRAME 106		1				
URC145CVD	FRAME 132			1			
URC145DVD	FRAME				1		
URC145EVD	FRAME 186					1	
URC145FVD	FRAME 214						1
URC157AVD	SHAFT CARTER	1					
URC157BVD	SHAFT CARTER		1	1			
URC157CVD	SHAFT CARTER				1		
URC157DVD	SHAFT CARTER					1	1
URC163D	SHAFT SLEEVE	1	1	1	1	1	1
URC164AD	TRASMISSION SHAFT	1					
URC164BD	TRASMISSION SHAFT		1	1			
URC164CD	TRASMISSION SHAFT				1		
URC164DD	TRASMISSION SHAFT					1	1
URC165D	SPACER	2	2	2	2	2	2
URC166D	PULLEY 170/2B	1	1				
URC167D	PULLEY 170/2B	1	1				
URC178ZD	LEFT SIDE PLUG	1	1	1	1	1	1
URC181ZD	LIFTER BRACKET			1	1	1	1
URC195AVD	SCRAPER	1					
URC195BVD	SCRAPER		1				
URC195CVD	SCRAPER			1			
URC195DVD	SCRAPER				1		
URC195EVD	SCRAPER					1	
URC195FVD	SCRAPER						1
URC203ZD	BRACKET	1	1				
URC205D	PULLEY 160-3/B			1	1	1	1
URC214VD	FLAIL MOWER BAFFLE L=130	4	6	8	10	12	
URC215VD	FLAIL MOWER BAFFLE L=70	1	1	1	1	1	
URC216AVD	BAFFLE AXLE	1					
URC216BVD	BAFFLE AXLE		1				
URC216CVD	BAFFLE AXLE			1			
URC216DVD	BAFFLE AXLE				1		
URC216EVD	BAFFLE AXLE					1	
URC216FVD	BAFFLE AXLE						1
URC217VD	FLAIL MOWER BAFFLE L=105	2	2	2	2	2	

URC218VD	BAFFLE SPACER	2	2	2	2	2	2
URC221VD	ROLLER RIGHT SUPPORT			1	1	1	1
URC222VD	ROLLER LEFT SUPPORT			1	1	1	1
URC240VD	ROLLER TIGHTNESS			2	2	2	2
URC241D	PULLEY 240 - 3/B			1	1	1	1
URC255VD	III POINT RIGHT SIDE						1
URC256VD	III POINT LEFT SIDE						1
URC286D	BELT STRETCHER ROLLER	1	1				
URC347VD	BELT TENSIONER ROLLER			1	1	1	1
URC362VD	BUSH LOCK						2
URC364ZD	UPPER BAR						1
URC369ZD	PIPE						1
URC370D	LOWER BUSH						2
URC371D	UPPER BUSH						1
URC372VD	LEFT PROTECTION III POINT HITCH HYDRAULIC						1
URC373VD	RIGHT PROTECTION III POINT HITCH HYDRAULIC						1
URC412D	BLADE SPACER	2	2	2	2	2	2
URC420ZD	II CATEGORY BUSH				2		
URC421ZD	III POINT II CATEGORY BUSH				1	1	1
URC437VD	BAFFLE L=70						1
URC438VD	BAFFLE L=105						2
URC439VD	BAFFLE L=130						14
URC824SD	OIL SEAL PLATE	1	1	1	1	1	1

FLIPPER HYDRAULIC/MECHANIC SIDE-SHIFT						
Code	Description	Quantity				
		106	132	158	186	214
40100012	SCREW UNI 5739 M 10X30	6	5	5	5	5
40100014	SCREW UNI 5739 M 12X30	20	20	20	20	22
40100015	SCREW UNI 5739 M 12X35	9	5	5	5	5
40100018	SCREW UNI 5739 M 14X40	11	11	11	11	11
40100020	SCREW UNI 5933 M 12X25	1	1	1	1	1
40100023	SCREW UNI 5739 M 12X40					6
40100035	SCREW UNI 5739 M 16X45		4	4	4	4
40100042	SCREW UNI 5739 M 8X16	8	8	8	8	8
40100043	SCREW UNI 5739 M 10X25	2	2	2	2	2
40100046	SCREW UNI 5737 M 12X100	2	2	2	2	
40100076	SCREW UNI 5739 M 8X25	2	2	2	2	2
40100077	SCREW UNI 5739 M 8X20	8	8	8	8	8
40100095	SCREW UNI 5737 M 12X130	1	1	1	1	1
40100111	SCREW UNI 5737 M 14X110	2	2	2	2	2
40100145	SCREW UNI 5739 M 14X55	1	1	1	1	1
40100158	SCREW UNI 5739 M 14X45	2	2	2	2	2
40100160	SCREW UNI 5933 M 14X45	4	4	4	4	4
40100166	SCREW UNI ISO 7380 M 6x6 GR	1	1	1	1	1
40200002	NUT M8 DIN 980 CONELOX	10	10	10	10	10
40200003	NUT M10 DIN 980 CONELOX	9	9	9	9	9
40200006	NUT M 12 DIN 980 CONELOX	18	13	13	13	21
40200008	NUT M 16 DIN 980 CONELOX		4	4	4	4
40200011	NUT M 14 DIN 980 CONELOX	18	18	18	18	18
40200037	LOCKNUT M12 DIN 982	3	3	3	3	
40200059	LOCKNUT M 14 DIN 982	2	2	2	2	2
40300001	COPPER WASHER 21X27X1,5 1/2"	2	2	2	2	2
40300002	WASHER D 8 UNI 6592	20	20	20	20	20
40300003	WASHER D 10 UNI 6592	14	12	12	12	12
40300004	WASHER D 12 UNI 6592	49	45	45	45	55
40300006	WASHER D16 UNI 6592		4	4	4	4
40300009	WASHER D14 UNI 6592	18	18	18	18	18
40300031	WASHER D 8X24X2	8	8	8	8	8
40300049	COPPER WASHER 3/8"	2	2	2	2	2
40400007	SEEGER E25 UNI 7435			1	1	
40400009	SEEGER E20 UNI 7435	1	1			1
40400011	SEEGER INNER 52 UNI 7438					2
40400013	SEEGER E35X2,5 UNI 7436-75	1	1	1	1	1
40500004	KEY UNI 6604 A-10X8X35	2	2	2	2	2
40500006	KEY UNI 6604 A-10X8X45	1	1	1	1	1
40600001	GREASER UNI 7663 A-M 6X1	6	6	6		5
40600003	GREASER UNI 7663 A-M8 ZN	1	1	1		3
40700001	METAL RING GUK M 30X1,5	2	2	2	2	2
41000007	BEARING	2	2	2	2	2
41000021	BEARING	2				
41000026	GE 45 DUST COVER WITHOUT HOLE	2	2	2	2	2



41100007	OIL SEAL 45X65X8	1	1	1	1	1
41100048	NYLON SEAL Ø 71,5 PER UCF 207	2	2	2	2	2
41300001	SPRING PIN D.10	4			2	
41400003	SPLIT PIN R D4	1	1	1	1	1
41500001	PIN D 10	1	1	1	1	1
41900007	PROTECTIVE HOOD PTO YELLOW- MEC. 17/501	1	1	1	1	1
41900011	PROTECTION WITHOUT HOLES	1	1	1	1	1
42000031	GEAR BOX 9.310.870.00 540 PT	1	1	1	1	1
42400001	SUPPORT UCF 207 FK	1	1	1	1	1
42400006	SUPPORT UCFL 205 FK		2	2	2	2
42500002	WING PUSH ROD - POL. 3101 30X30	1	1	1	1	1
42500031	PLUG 14X1-2	9	7	7	7	7
42500048	BLACK PVC PLUG TPV 25.4	1	1	1	1	1
42700005	SPLIT PIN 5X35 UNI 1336	2	1	1	1	1
42800046	V BELT SPB X 1250	2	3	3	3	3
43300002	BLIND RIVET D 4x12	2	2	2	2	2
43600004	TUBE R1 3/8" F 90 Ø 3/8" + F 3/8" L=1801	2	2	2	2	2
43600011	NIPPLE MM 3/8"	2	2	2	2	2
43600012	QUICK COUPLING 1/2"	2	2	2	2	2
43600025	REDUCTION	2	2	2	2	2
43600120	FEMALE PLUG QUICK COUPLING 1/2"	2	2	2	2	2
43600199	NECKLACE 2 SPACES TUBE 18-3/8		1	1	1	1
43700012	SPRING PIN WITH CHAIN 98108	1	1	1	1	1
DMK186D	HITCH PIN - II CAT.				2	2
HOL064ZD	STAND SUPPORT	1	1	1	1	1
HOL176ZD	HITCH PIN	2				
HOL179D	ROTOR LEFT LOCK	1	1	1	1	1
HOL210ZD	HITCH SPACER	2	2			
SRM220D	HITCH PIN-I CAT	2	2	2		
URC051AVD	RIGHT SIDE PLUG	1				
URC051BVD	RIGHT SIDE PLUG		1	1	1	1
URC055VD	SKID	2	2	2	2	2
URC056VD	ROLLER RIGHT SUPPORT	1				
URC057VD	ROLLER LEFT SUPPORT	1				
URC058BVD	LEVELLING ROLLER	1				
URC059VD	STAND SUPPORT	1				
URC060BVDC	ROTOR 106 WITH Y-BLADES	1				
URC060BVDM	ROTOR 106 WITH HAMMERS	1				
URC060BVDS	ROTOR 106 WITH SPATULA	1				
URC067VD	SUPPORT		1	1	1	1
URC070BVD	SIDE SHAFT PIPE	1				
URC070CVD	SIDE SHAFT PIPE		1			
URC070DVD	SIDE SHAFT PIPE			1		
URC070EVD	SIDE SHAFT PIPE				1	
URC071ZD	BRACKET LOCK	1	1	1	1	1
URC072ZD	CYLINDER BRACKET	1	1	1	1	1
URC073VD	III POINT BAR	1	1	1	1	1
URC075VD	GEARBOX BRACKET	1	1	1	1	
URC076VD	LOWER BAR	1	1	1	1	

URC086CVD	ROLLER		1				
URC086DVD	ROLLER			1			
URC086EVD	ROLLER				1		
URC086FVD	ROLLER					1	
URC087CVDC	ROTOR 132 WITH Y-BLADES		1				
URC087CVDM	ROTOR 132 WITH HAMMERS		1				
URC087CVDS	ROTOR 132 WITH SPATULA		1				
URC087DVDC	ROTOR 158 WITH Y-BLADES			1			
URC087DVDM	ROTOR 158 WITH HAMMERS			1			
URC087DVDS	ROTOR 158 WITH SPATULA			1			
URC087EVDC	ROTOR 186 WITH Y-BLADES				1		
URC087EVDM	ROTOR 186 WITH HAMMERS				1		
URC087EVDS	ROTOR 186 WITH SPATULA				1		
URC087FVDC	ROTOR 214 WITH Y-BLADES					1	
URC087FVDM	ROTOR 214 WITH HAMMERS					1	
URC087FVDS	ROTOR 214 WITH SPATULA					1	
URC111VD	TIE ROD	1					
URC115VD	BRACKET						2
URC116VD	III POINT HITCH BRACKET						1
URC117VD	HITCH BRACKET						1
URC118VD	BELT CARTER	1	1	1	1	1	
URC119VD	BELT TENSIONER		1	1	1	1	
URC145BVD	FRAME 106	1					
URC145CVD	FRAME 132		1				
URC145DVD	FRAME			1			
URC145EVD	FRAME 186				1		
URC145FVD	FRAME 214						1
URC157BVD	SHAFT CARTER	1	1				
URC157CVD	SHAFT CARTER			1			
URC157DVD	SHAFT CARTER				1	1	
URC163D	SHAFT SLEEVE	1	1	1	1	1	
URC164BD	TRASSMISSION SHAFT	1	1				
URC164CD	TRASSMISSION SHAFT			1			
URC164DD	TRASSMISSION SHAFT				1	1	
URC165D	SPACER	2	2	2	2	2	
URC166D	PULLEY 170/2B	1					
URC167D	PULLEY 170/2B	1					
URC178ZD	LEFT SIDE PLUG	1	1	1	1	1	
URC179D	BELT TENSIONER ROLLER						1
URC181ZD	LIFTER BRACKET		1	1	1	1	
URC195BVD	SCRAPER	1					
URC195CVD	SCRAPER		1				
URC195DVD	SCRAPER			1			
URC195EVD	SCRAPER				1		
URC195FVD	SCRAPER						1
URC203ZD	BRACKET	1					
URC205D	PULLEY 160-3/B		1	1	1	1	
URC214VD	FLAIL MOWER BAFFLE L=130	6	8	10	12		
URC215VD	FLAIL MOWER BAFFLE L=70	1	1	1	1		

URC216BVD	BAFFLE AXLE	1				
URC216CVD	BAFFLE AXLE		1			
URC216DVD	BAFFLE AXLE			1		
URC216EVD	BAFFLE AXLE				1	
URC216FVD	BAFFLE AXLE					1
URC217VD	FLAIL MOWER BAFFLE L=105	2	2	2	2	
URC218VD	BAFFLE SPACER	1	2	2	2	2
URC221VD	ROLLER RIGHT SUPPORT		1	1	1	1
URC222VD	ROLLER LEFT SUPPORT		1	1	1	1
URC240VD	ROLLER TIGHTNESS		2	2	2	2
URC241D	PULLEY 240 - 3/B		1	1	1	1
URC255VD	III POINT RIGHT SIDE	1	1	1	1	1
URC256VD	III POINT LEFT SIDE	1	1	1	1	1
URC262D	HYDRAULIC CYLINDER		1	1	1	1
URC263ZD	AXLE PLUG	2	2	2	2	
URC264ZD	THREADED ANCHOR	1	1	1	1	
URC266ZD	SHIFTING ROLLER	3	3	3	3	
URC267ZD	BUSH	3	3	3	3	
URC268ZD	SIDE SHIFT AXLE	1	1	1	1	
URC273D	HYDRAULIC CYLINDER	1				
URC279VD	FRONT PIPE TIGHTNESS		1	1	1	
URC286D	BELT STRETCHER ROLLER	1				
URC347VD	BELT TENSIONER ROLLER		1	1	1	1
URC362VD	BUSH LOCK					2
URC364ZD	UPPER BAR					1
URC369ZD	PIPE					1
URC370D	LOWER BUSH					2
URC371D	UPPER BUSH					1
URC372D	RIGHT PROTECTION III POINT HITCH HYDRAULIC					1
URC372VD	LEFT PROTECTION III POINT HITCH HYDRAULIC	1	1	1	1	
URC373D	LEFT PROTECTION III POINT HITCH HYDRAULIC					1
URC373VD	RIGHT PROTECTION III POINT HITCH HYDRAULIC	1	1	1	1	
URC412D	BLADE SPACER	2	2	2	2	2
URC420ZD	II CATEGORY BUSH			2		
URC421ZD	III POINT II CATEGORY BUSH			1	1	1
URC437VD	BAFFLE L=70					1
URC438VD	BAFFLE L=105					2
URC439VD	BAFFLE L=130					14
URC824SD	OIL SEAL PLATE	1	1	1	1	1

## GENERAL INDEX

PREFACE .....	3
DESCRIPTION .....	5
FIELD OF USE.....	5
PERFORMANCES .....	5
PERFORMANCE LIMITS .....	5
STANDARD FEATURES.....	5
VARIANTS & ACCESSORIES .....	5
TECHNICAL FEATURES .....	6
SPECIFICATIONS PER MODEL.....	6
SAFETY INFORMATION .....	7
GENERAL REQUIREMENTS .....	7
SAFETY RESTRICTIONS .....	7
RUNNING IN.....	7
SAFETY LABELS ON THE IMPLEMENT .....	8
PTO SHAFT .....	9
CHECK THE LENGTH OF THE PTO SHAFT.....	9
HOW TO SHORTEN THE PTO SHAFT .....	10
INSTRUCTIONS FOR USE .....	11
BEFORE STARTING TO WORK.....	11
START WORKING .....	12
AT THE END OF THE WORK.....	12
USING THE HYDRAULIC SIDE-SHIFT .....	12
MAINTENANCE INSTRUCTIONS .....	13
SHEET "A" SCHEDULED MAINTENANCE.....	13
1. GREASING .....	14
2. OIL LEVEL - OIL CHANGE .....	14
3. BLADES REPLACEMENT.....	15
4. ADJUSTMENT AND REPLACEMENT OF THE TRANSMISSION BELTS .....	16
TROUBLESHOOTING .....	17
VARIOUS INFORMATION .....	18
TRANSPORT .....	18
DEPOSIT .....	18
INFORMATION ABOUT DEMOLITION .....	18
WARRANTY .....	18
WORK AND MAINTENANCE SHEET.....	19
IMPLEMENT SPARE PARTS.....	20
FLIPPER 80-106 MECHANISMS .....	21
FLIPPER 132-158-186-214 MECHANISMS.....	22
FLIPPER 80-106 SHEETS .....	23
FLIPPER 132-158-186-214 SHEETS.....	24
FLIPPER 106-132-158-186 HYDRAULIC/MECHANIC SIDE-SHIFT KIT .....	25
FLIPPER 214 HYDRAULIC/MECHANIC SIDE-SHIFT KIT .....	26
HYDRAULIC SYSTEM.....	27
SPARE PARTS LIST .....	28
NOTES.....	37

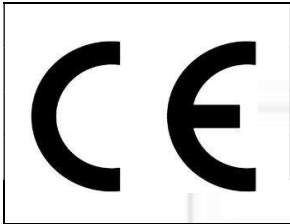












Dichiarazione CE di conformità ai sensi della Direttiva Macchine 2006/42/CE

CE declaration of conformity under the Machinery Directive 2006/42/CE

Déclaration CE de conformité conforme à la Directive Machine 2006/42/CE

Eg konformitätserklärung im Sinne der Eg Vorschrift Maschine 2006/42/CE

Declaración CE de conformidad según la Directiva Máquinas 2006/42/CE

**D E L M O R I N O S. R. L.**

**- Via Caroni di Sotto n. 19 -**

**- 52033 CAPRESE MICHELANGELO (AREZZO) ITALIA -**

Dichiara sotto la propria responsabilità che la macchina "TRINCIA" è conforme ai requisiti di sicurezza e di tutela della salute di cui alla "Direttiva Macchine 2006/42/CE".

Per la verifica delle conformità alla direttiva sopramenzionata sono state consultate le norme armonizzate **UNI EN ISO 12100:2010; 13857:2008; 4524-1:2010; 4254-12:2010.**

Declare under Its own responsibility that the machine "FLAIL MOWER" complies with the safety and health protection requirements of "Machinery Directive 2006/42/CE".

To verify the conformity to the above-mentioned directive, the harmonized standards **UNI EN ISO 12100:2010; 13857:2008; 4524-1:2010; 4254-12:2010** have been consulted.

Déclare sous sa responsabilité que la machine "BROYEUR" est conforme aux prescriptions en matière de sécurité et de santé stipulées dans la "Directive Machine 2006/42/CE".

Pour le contrôle des conformités des directive citées ont été consultées les règles unifiées **UNI EN ISO 12100:2010; 13857:2008; 4524-1:2010; 4254-12:2010.**

Erklärt hiermit in eigener Verantwortung dass die Maschine "SCHLEGELMULCHER" die Schutzanforderungen und den Gesundheitsschutz, "gemäß der 2006/42/CE einhält".

Für Überprüfung der Konformität der oben genannten Vorschriften wurden Vorschriften **UNI EN ISO 12100:2010; 13857:2008; 4524-1:2010; 4254-12:2010** konsultiert.

Declara bajo su propia responsabilidad que la máquina: "TRITURADORA" cumple con los requisitos de seguridad y protección de la "Directiva Máquinas 2006/42/CE".

Para la verificación del cumplimiento de la directiva antes mencionada, se consultaron las normas armonizadas **UNI EN ISO 12100:2010; 13857:2008; 4524-1:2010; 4254-12:2010.**

**TRINCIA - FLAIL MOWER - BROYEUR - SCHLEGELMULCHER - TRITURADORA**

TYPE	MODEL						
	FLIPPER C	FLIPPER M	FLIPPER S				
80							
106							
106H							
132							
132H							
158							
158H							
186							
186H							
214							
214H							

Matr. n°: \_\_\_\_\_ Caprese Michelangelo li : \_\_\_\_\_

**DelMorino** SRL  
 Via Caroni di Sotto, 19 - 52033 CAPRESE MICHELANGELO (AR)  
 Tel. 0575 791058 (RA) - Fax 0575 791210  
 PORTAL SITE: <http://www.del-morino.it>  
 E-mail: [info@del-morino.it](mailto:info@del-morino.it) [spordi@del-morino.it](mailto:spordi@del-morino.it)  
 Cap. Soc. 400.000 I.V. IN MECCANOGRAFICO AR 006024  
 N° ISCRIZIONE RI, Celd. Fis. e P. IVA: 01041010511  
 R.L. AREZZO N° REA 81362



Farm & Garden Equipment

**DelMorino** S.p.A.

