



— SINCE 1962 —

# FARMI FOREST

PIONEER IN SMART FORESTRY

SKIDDING WINCH

W35R

OPERATION, MAINTENANCE AND SPARE  
PARTS MANUAL

PLEASE READ THE OPERATING AND MAINTENANCE  
INSTRUCTIONS BEFORE USING THE MACHINE

FROM MACHINE: 300000936  
INSTRUCTION MANUAL  
A-EN-050421-IK



# TABLE OF CONTENTS

INTRODUCTION.....	6
GENERAL SAFETY INSTRUCTIONS.....	8
STARTING .....	8
TRANSPORT.....	9
OPERATION .....	9
MAINTENANCE.....	10
SAFETY INSTRUCTIONS FOR THE WINCHES .....	11
STICKERS AND PLATES.....	12
MAIN PARTS AND ACCESSORIES .....	15
TECHNICAL SPECIFICATION .....	16
MOUNTING .....	17
FASTENING THE CABLE TO THE DRUM .....	18
PRE-OPERATION CHECKS .....	19
DISCONNECTING THE SKIDDING WINCH FROM THE TRACTOR .....	20
STORAGE .....	20
OPERATION .....	20
WINCHING .....	23
SKIDDING .....	24
MAINTENANCE.....	26
TROUBLE SHOOTING.....	31
SPARE PARTS.....	32

When ordering spare parts, please indicate the serial number of your machine can be found on the machine plate, spare parts order number, description and quantity required. Example. W35R, 94624046, torsion spring, 2 pc





## EC DECLARATION OF CONFORMITY

Original declaration of conformity

**Manufacturer:**

Farmi Forest Corporation  
Kilpivirrantie 7, FIN-74120 IISALMI, Finland

**Person authorized to compile the technical documentation:**

Name: Petri Pelkonen  
Address: Kilpivirrantie 7, FIN-74120 IISALMI, Finland

**Commercial name:**

Farmi

**Machine denomination:**

Skidding winch

**Machine type:**

W35R

**Machine series number:**

Herewith, we declare that the machine brought into circulation conforms with the pertinent requirements of the Machinery Directive 2006/42/EC.

The following harmonized standards were used for the conceptional design of the machine:

EN ISO 12100, SFS EN ISO 13857, SFS EN ISO 4254-1

Iisalmi 3.1.2021

Ilkka Kuuramaa

## INTRODUCTION

This manual includes the information and maintenance instructions required for operating the machine in the optimal manner.

Although you have experience in using this kind of machinery, read the operation and maintenance instructions carefully since they include information enabling efficient and safe operation. Regular maintenance is the best way to guarantee the efficient and economical performance of the machine.



**CAUTION**

**Each and every operator must read, understand, and follow all safety instructions and procedures**

## WARNING SYMBOLS IN THIS MANUAL



**DANGER**

**Imminent danger which could cause serious personal injury or death.**



**WARNING**

**Danger which could cause personal injury.**



**CAUTION**

**Conditions or misuse that could damage equipment or machinery. Reminders, such as for performing checks or carrying out maintenance or repair procedures.**

## PRODUCT DESCRIPTION

A winch is a machine intended for harvesting felled timber from the forest. The basic components are welded frame, driveline, drum with wire rope, directional pulleys, friction clutch and a brake.

In FARMI winches, there are two different kinds of brakes: models W30F, W35R and W50R are operated with ratchet brake and models W35F, W50B, W60B and W86B with automatically switched on band brake.

There are also two different type of control systems in FARMI winches: 1) Manual control where two ropes are used by operator to control the unit or 2) electro hydraulic control where operator uses remote control instead of ropes. In this case, functions are operated with hydraulic cylinders.

Using the wire rope, the logs can be towed to the winch and anchored with chains to the winches slotted dozer plate. After this logs can be transported to a place where other means of transport are accessible. FARMI winches may not be used for lifting! Factory setting values may not be changed without a permission of Farmi Forest.

## GENERAL SAFETY INSTRUCTIONS

These safety instructions are meant for the owners of FARMi machine, as well as those who operate, service or repair it.

**The instructions help with:**

1. using the machine safely, appropriately, and effectively.
2. identifying, avoiding, and preventing potentially dangerous situations.

The manufacturer supplies an operation manual, which must always be available at the place of operation of the machine. Each user must read the safety, maintenance, and operating instructions before operating the machine, and comply with these instructions at all times.



**CAUTION!**

**Ensure that every operator of the machine is familiar with the content of the instruction manual and situation-specific safety instructions and has been suitably trained before operating the machine.**

The machine complies with technical requirements and applicable safety regulations. However, incorrect use, maintenance or repair of the machine may cause risks.

In addition to the operation manual, remember to comply with regulations of the local occupational health and safety authorities, and with your country's laws and decrees.

The manufacturer is not liable for damages caused by:

3. incorrect, negligent or inappropriate use of the product.
4. non-original spare parts.
5. normal wear and tear.
6. misuse caused by an untrained person's improper actions.
7. alterations made without the manufacturer's permission.



**CAUTION!**

**Written authorization must be requested from the manufacturer for any alterations to the machine.**

## STARTING

1. Familiarize yourself thoroughly with the use, operation and controls of the machine and its equipment before starting.
2. Familiarize yourself with the capacities and limitations of the machine and its equipment.
3. Do not use the machine unless you are completely familiar with its operation.
4. Be aware of the machine's danger zones.
5. During operation, prevent bystanders from entering the danger zone.
6. Ensure that each operator has the necessary safety equipment, such as a helmet, safety goggles, work safety boots and suitable protective clothing.
7. Never wear loose clothing around moving parts. Protect long hair!
8. Ensure that work is carried out according to the stipulations of applicable occupational health and safety legislation.
9. Before starting up or using the machine, ensure that it cannot cause a risk to other people or property.

10. Perform a safety check on the machine before every use. If you observe any faults or deficiencies, repair the machine immediately.
11. Before operating the machine, ensure that there are no foreign articles in it.
12. Place the machine on a hard, level surface for operation. In the winter avoid working in slippery areas.
13. Before mounting and using the machine, check the PTO drive shaft for correct condition and machine.
14. Never use a faulty or deficient machine.

## TRANSPORT

1. Before driving with the tractor, ensure the safe mounting of the winch. Make sure that the journals are seating correctly and that the pins are tight. Check the tension of the lower link stabilizers.
2. Before driving with the tractor, make sure that the required lamps and reflectors as well as the slow moving vehicle sign are attached correctly. Moreover, the lamps should be checked for correct functioning.
3. Before driving with the attached winch, make sure that the hydraulic unit of the tractor is depressurized (unless otherwise instructed in the operating instructions).
4. When driving on public roads, always observe the valid traffic regulations. The travel speed must be adapted to the specific conditions.
5. When driving, please take into consideration the additional mass resulting from the machine's weight. It may affect the reactions, the steerability and the braking function of the tractor.
6. Please note that the machine rear sways when turning.
7. Pay attention to the machine's height near bridges or other height restricting objects.
8. When backing off, the machine may obstruct the rear view. Exercise extreme caution. If necessary, ask a flagman to help you; he can indicate the required distances.
9. It is prohibited for other people to ride on the winch.

## OPERATION



**DANGER**

**Many occupational accidents take place in abnormal circumstances. Therefore, it is important to take into account all the possible circumstances that may arise during operation of the machine.**



**WARNING**

**The machine's operator must have constant, unobstructed visibility of the work area. If this is not possible, the operator must work with an assistant.**

1. Depending on the machine's type, it will have diverse safety devices and protectors. These are meant to protect the machine and its operator, and they must never be removed or altered. Never start up or use the machine without all the safety devices and protectors in place. Also check the universal joint's safety equipment and joints.
2. Never insert any body part into the machine with the engine running.
3. If any faults arise that may jeopardize occupational safety, turn off the machine.
4. During operation, the machine's operator is responsible for safety in the whole work area. Work may not be carried out in the presence of any factors that jeopardize occupational safety.
5. Exercise extreme caution when hitching/unhitching the machine from a tractor/trailer.
6. Look out for moving parts when the machine is in operation.
7. Secure the machine against unauthorized and accidental operation (e.g. moving when parked) whenever it is left unattended.



8. Never leave the machine running unattended.
9. Avoid causing fast, stroke-like loading.
10. Never exceed the given operating values.
11. All safety and warning signs on and in the machine must be legible and intact.
12. The machine may not be operated by persons who are unwell or under the influence of drugs or alcohol.

## MAINTENANCE

1. The machine may only be serviced and repaired by professionals.
2. Electrical and hydraulic faults may only be repaired by authorized professionals.
3. In cases requiring welding, contact the manufacturer.
4. When servicing the machine, place it on a level surface and ensure that it cannot be moved.
5. Turn off the tractor engine, disconnect the hydraulic hoses and electrics before beginning service or maintenance actions.
6. Before any maintenance work, turn the main power switch of the tractor to OFF.
7. Take out the key from the tractor's ignition for the duration of the servicing or maintenance. Check that the power is off from the tractor you are working on.
8. Before disconnecting the hydraulic hoses from tractor, ensure that the hydraulic system is depressurized.
9. Observe the service intervals and annual safety inspections.
10. All spare parts and equipment must fulfill the manufacturer's requirements. This can be guaranteed by using original parts.
11. Put all safety devices back into place immediately once servicing or maintenance is complete.



### WARNING

**When lifting the machine, check that the lifting/hoisting equipment is in perfect working order. Check the weight of the machine before lifting it. Choose lifting trajectories so that they do not cause any danger.**

Many countries have specific legislation on lifting, hoisting cables and hoists. Always comply with local safety regulations.

## OILS AND LUBRICATION

1. Always use the oil types recommended by the manufacturer. Other types of oil may cause faults or improper operation of the equipment, which could lead to serious damage to people or property.
2. Never mix different liquids or oils.
3. Always follow the manufacturer's lubrication instructions.
4. Use control equipment carefully until the hydraulic oil has had time to reach its operating temperature.

## SAFETY INSTRUCTIONS FOR HYDRAULIC CIRCUITS

1. Work on hydraulic equipment may only be carried out by professional hydraulic engineers.
2. Be cautious when using the equipment in cold conditions.
3. Check the machine for leaks. Do not use the machine if there is a leak from any system. Check all hydraulic hoses – particularly those which are bent during use – and replace any that are in poor condition or have leaks. Ensure that all joints are tight and that the lines are not damaged. Check that all protective caps and filler caps are closed properly. Check the hose sheathing for damage.
4. Check that all hose connectors, lengths and qualities comply with applicable requirements. When replacing or repairing hoses, use original parts or hoses and connectors recommended by the manufacturer. Check particularly that the pressure classes of the hoses and connectors are suitable to the operating pressure levels.

5. Check that all safety devices such as pressure relief valves, etc., are in place and work properly. Familiarize yourself with their use. Safety systems may never be bypassed.
6. Check the main hydraulic parts daily, and always after a fault. Replace any damaged parts immediately.
7. If a component is damaged, clean it before repairing it. Do not use solvents when cleaning parts.
8. Do not attempt to carry out repairs that you are not fully familiar with.
9. Never carry out repairs of the hydraulic circuit when the system is pressurized. When pressurized, the oil spray can penetrate the skin and cause mortal danger.
10. Never work below a device or component that is only being held up by hydraulics. Use separate supports when carrying out maintenance or repairs. Do not disconnect cylinders or their valves until the machine is well supported.
11. Most hydraulic oils do not evaporate easily. Risk factors include hot oil, spills and oil mist (pressurized).
12. If oil gets into your eyes, rinse with plenty of water and contact a doctor.
13. Avoid prolonged or repeated oil contact with your skin.
14. If sprays or contact with the skin cannot be avoided, use protective gloves, goggles and clothing as necessary. Do not use oily clothing.
15. Avoid discharging hydraulic oil into the environment, as it can pollute waterways and the groundwater. If biodegradable oil is to be used, contact the manufacturer beforehand and have the suitability of your equipment for the operation with biodegradable oil confirmed by him before such oil is used.
16. Store the oil in sealed containers provided by the manufacturer. Try to transfer the oil directly from its container into the tank.
17. If the oil must be passed through other containers, ensure that they are completely clean. Caps, funnels, sieves and filling holes must also be clean.
18. Never store oil outdoors, as water could condense in it.
19. Always dispose of oil in a suitable container, never into the environment!

## **SAFETY INSTRUCTIONS FOR THE WINCHES**

1. Check that the wire cable is in good condition before using the winch (check for corrosion, sharp bends, breakage and thickness of strands). If a cable snaps, it can whip towards the operator or away from the winch.
2. Operate the winch with a guide cable at least 2 meters away to the side of the machine. Do not operate the winch from the tractor cabin unless a safety net has been installed.
3. When winching downhill, the pulling must be done from the side using an additional idler.
4. When winching on a hill, do not follow the load from below.
5. Side-winchng must not be done at angles of more than 30 degrees.
6. It is extremely dangerous to be in the space between a load attached to the wire cable and the winch.
7. Check that all bystanders are at a safe distance of at least 15 meters whenever the machine is running. Place warning signs on approaching roads.
8. Never touch the wire cable by hand during winching.
9. The maximum load must be adjusted to conditions.
10. Check that the winching chains are carefully attached. Do not attach the wire cable directly to the load.
11. The safety coefficient must be 2.5 for cable-type fasteners and 2 for chain-type fasteners.
12. Disconnect the transmission before examining the machine in the case of any faults.
13. Ensure the wire cable is as short as possible during transport.
14. The winch may only be used for winching and hauling. Do not use the winch for lifting loads.



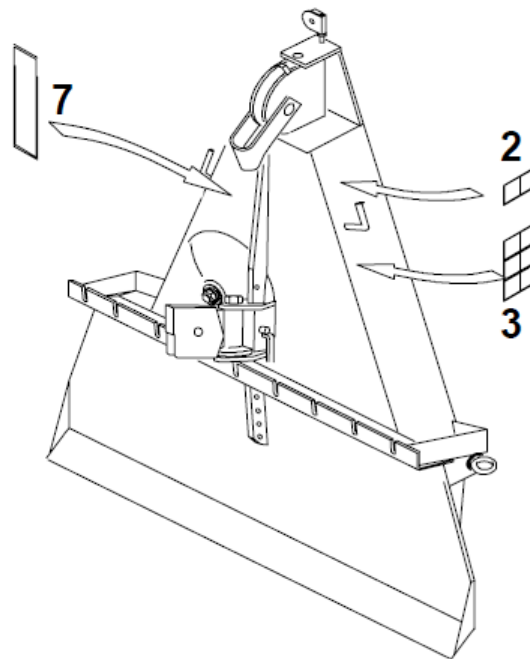
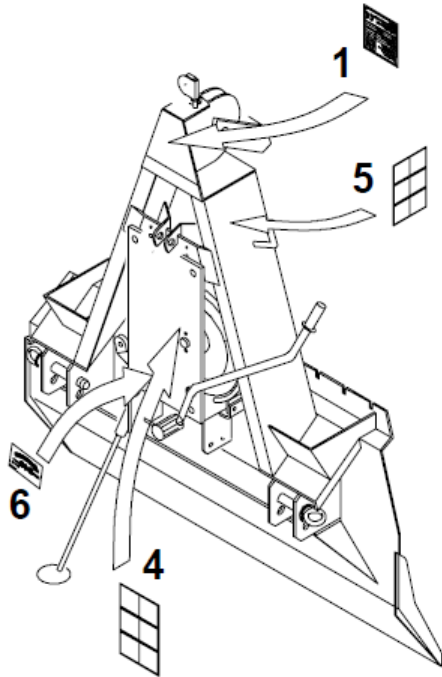
**Noise from the winch exceeds 70 dBs in operation.  
Wear ear protection!**

**WARNING**

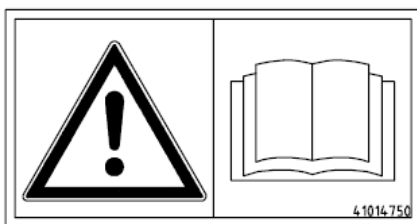
**W35R**

## STICKERS AND PLATES

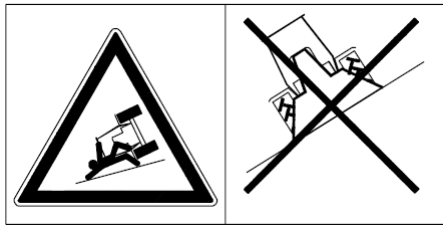
These plates and stickers must be found on the winch. Replace missing plates or stickers immediately.



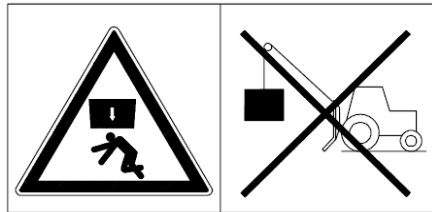
1. Machine plate W35R (200005000)



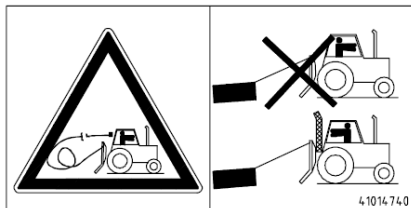
2. Note! See manual for operation and maintenance. (41014750)



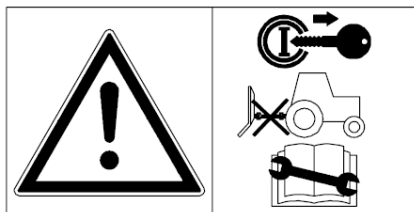
- 3. **Nr 41014740**  
**Falling danger!**  
**Do not work in an oblique position.**



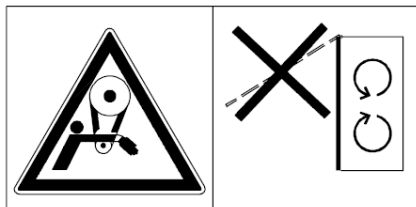
- 4. **Crushing danger!**  
**Do not use the winch for the lifting.**



- 5. **Watch out for a breaking cable!**  
**Always use the protective screen.**



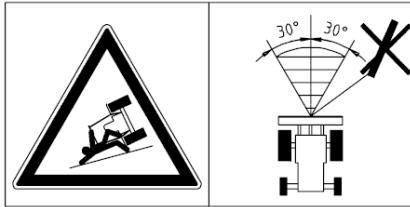
- 6. **Nr 41014730**  
**Note!**  
**Before doing maintenance work turn off the motor, remove the ignition key and disengage the P.T.O.**



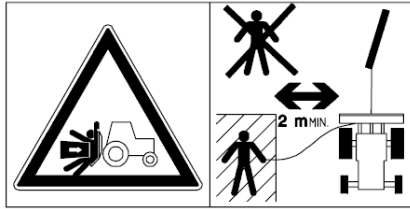
- 7. **Accident danger!**  
**Keep the safety equipment where it belongs.**



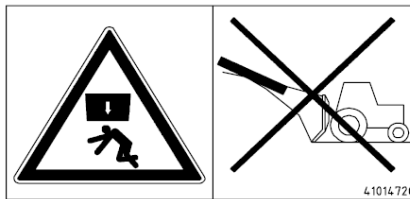
- 8. **Winding danger!**  
**Do not wear too loose clothes and keep the hair bound inside the cap.**



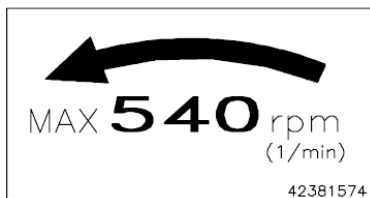
9. Nr 41014720  
**Falling danger!**  
 Do not winch at sideways angles exceeding 30 degrees.



10. **Crushing danger!**  
 Do not stand in front of the winch when working. Stand on the side at a distance of at least 6 ft from the winch.



11. **Crushing danger!**  
 Do not winch downhill.



12. **Maximum rpm (42381474)**



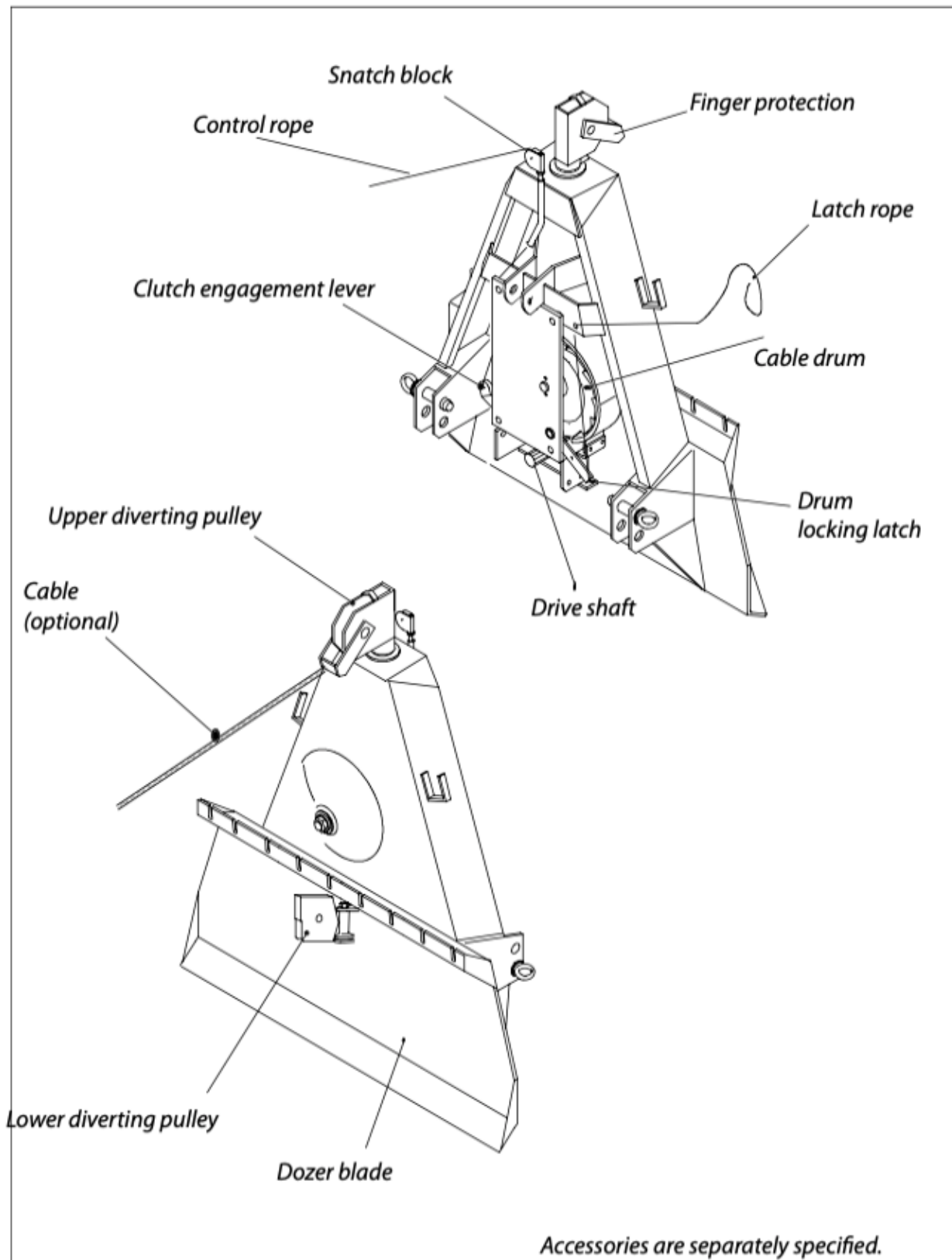
**FARMI**  **FOREST**

13. **FARMI-sticker**  
 (40147110 or 200006218 or 200006179)

**W35R**

14. **Sticker W35R (40147250)**

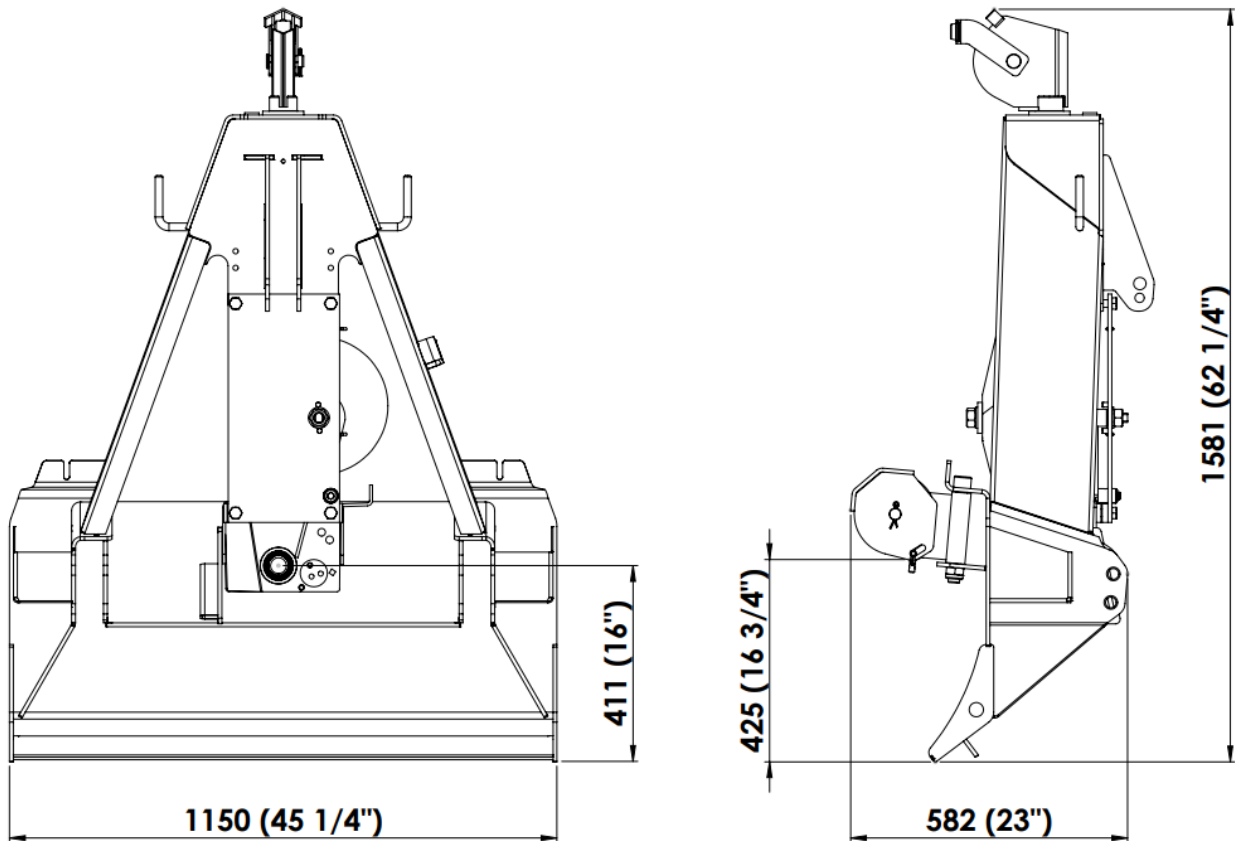
## MAIN PARTS AND ACCESSORIES



## TECHNICAL SPECIFICATION

		<b>W35R</b>
<b>Tractive power</b> Cable drum empty (Maximum)		35 kN
Cable drum full (Minimum)		13 kN
<b>Cable capacity</b>		50 m of ø 10 mm (164 ft of 25/64") cable
<b>Ultimate strength of the cable</b>	<b>1,96 kN/mm<sup>2</sup></b>	compacted
<b>Winching speed</b>	<b>350 rpm</b>	0,3 - 0,9 m/s (1-3 ft/s)
	<b>540 rpm</b>	0,5 - 1,4 m/s (1.6-4.6 ft/s)
<b>Weight (without cable)</b>		170 kg (375lbs)
<b>Clutch</b>		Mechanical friction plate clutch with heat sink
<b>Power transmission</b>		Universal shaft from tractor
<b>Mounting</b>		To 3-point hitch (CAT. I and CAT. II)
<b>Power needed</b>		min. 10 kW (14 hp)

## DIMENSIONS



## MOUNTING

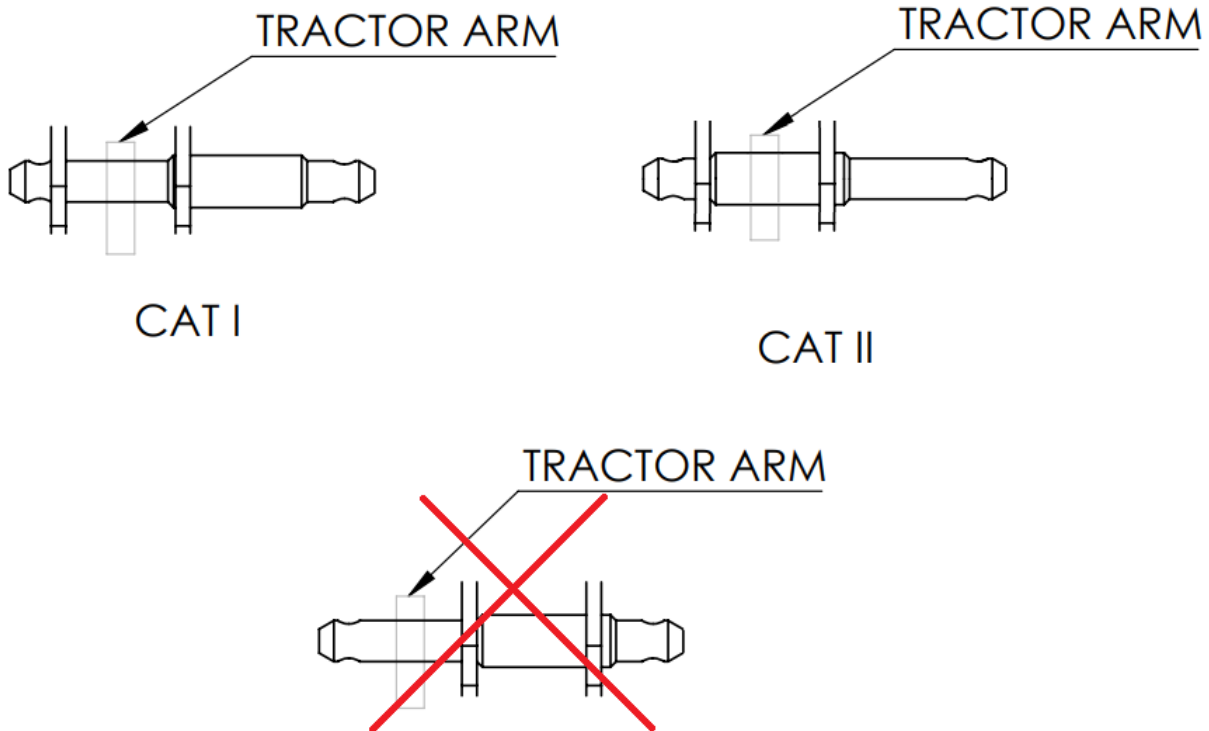
### MOUNTING THE SKIDDING WINCH TO THE TRACTOR USING THE 3-POINT HITCH

The winch can be mounted to the 3-point linkage of any tractor. Power transmission is obtained through universal shaft from tractor.



**DANGER!**

**NOTE! Never go between the tractor and the skidding winch! DANGER OF CRUSHING! Make sure there is nobody between the tractor and the skidding winch when you back up the tractor.**



1. Fasten the tractor drawbars to the skidding winch.
2. Fasten the push bar to the skidding winch.
3. Engage the articulated shaft.
4. Connect the electric power if the skidding winch is equipped with electro-hydraulic control.
5. Lift up the winch outriggers.
6. Make sure that
  - a. the push bar mounting on the tractor is locked (with a support block, if needed).
  - b. the lock pins are closed.
  - c. the side limiters are locked.
  - d. the articulated shaft is of correct length, firmly in place and the shield chains are closed.

the skidding winch outriggers are lifted up.

### ASSEMBLY OF THE PTO SHAFT



**CAUTION!**

**If the PTO shaft is too long it may get pressed when the three-point hitch is lifted up. This may cause damage to the bearings of the winch or to the PTO of the tractor. The PTO shaft must not be too short in any position. The PTO length is suitable, if the pipes do not reach the bottom.**

PTO is optional equipment.

**W35R**



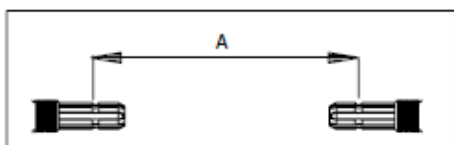
1. Mount the winch to the 3-point hitch of the tractor.
2. Raise the winch high enough to get the PTO shaft of the tractor and the winch to a horizontal level.
3. If you have a shortened PTO shaft available, put one end into the drive shaft and check that the distance of the locking of the other end. Take into account the additional clearance of approx. 20 mm (0.78").
4. Fasten the other end of the PTO shaft in its place and also move the winch sideways at the same time securing that the axis does not base.

## SHORTEN THE DRIVE SHAFT

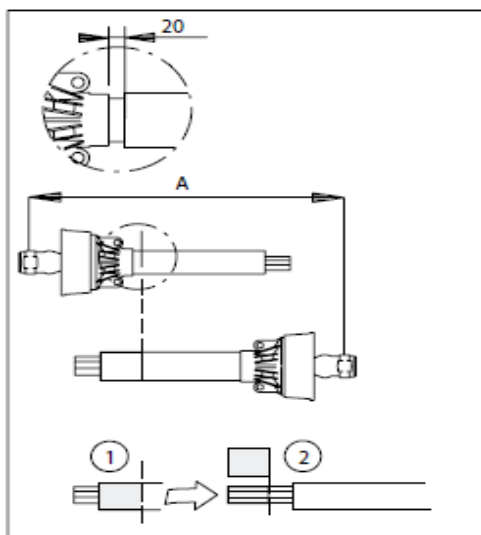


**Both PTO halves must be shortened by equal amounts.**

**CAUTION!**



**Fig. 1.**  
Measure A when the drive shafts are nearest to each other.

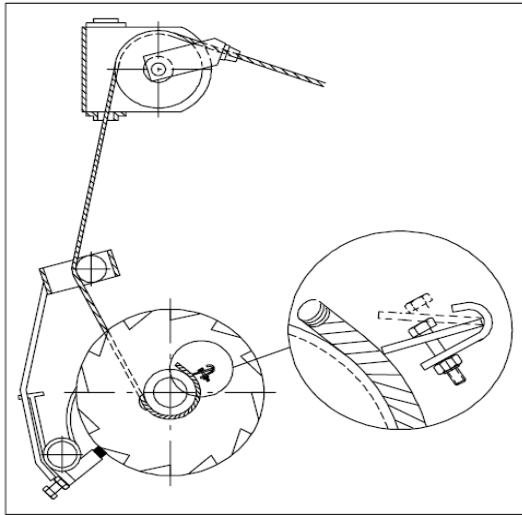


**Fig. 2.**  
Shorten the drive shaft

1. First cut the thicker cover to a correct length (1). Remember 20 mm (0.78") clearance. Then cut away the same amount from the form pipe. Make a similar shortening to the second half of the PTO shaft. Remove the burr with the file.
2. Connect the PTO shafts within each other. Make sure by moving elevator carefully up and down that the shortening of the axis is sufficient. Check that the axis have 20 mm (0.78") latitude.

## FASTENING THE CABLE TO THE DRUM

1. Tape the cable end to prevent loosening of the core wires.
2. Pass the cable through the hole in cable guard, over the upper snatch block and then inside the winch.
3. Insert the cable from behind the roll of the drum brake.
4. Pull the cable onto the drum from the left hand side (the same side as the clutch lever).
5. Pass the cable end through the hole in the drum plate, pull about 15 cm (6"), and insert under the wedge of the cable lock device. See fig. 3.
6. Tighten the cable lock screw.
7. Winch the cable on the drum. REMEMBER THAT THE CABLE HAS TO BE LOADED HEAVILY, WHEN WINCHING THE CABLE BACK ON THE DRUM.



**Fig. 3.**  
**Fastening the cable**

Do not use longer cable than needed. With correct length you achieve good pulling strength and proper winding of the cable.

## PRE-OPERATION CHECKS

### CABLE

Check that:

1. the cable is faultless (breakage risk).
2. there are no twists or kinks (breakage risk) in the cable.
3. the cable has been properly fastened to the winch.

### PULLING OUT THE CABLE

1. The cable can be freely drawn out if the drum has not been locked with a latch.

### WINCH

Check that:

1. all the pins and lynch pins are in place.
2. all bolts and nuts have been tightened.
3. roller chain is tight.
4. the drum brake has been properly adjusted.
5. the clutch has been correctly adjusted.
6. lubrication is carried out correctly. See lubricating instructions.



**CAUTION!**

**When installing the safety guard, make sure the clutch does not get caught on the safety guard.**

### CONTROLS

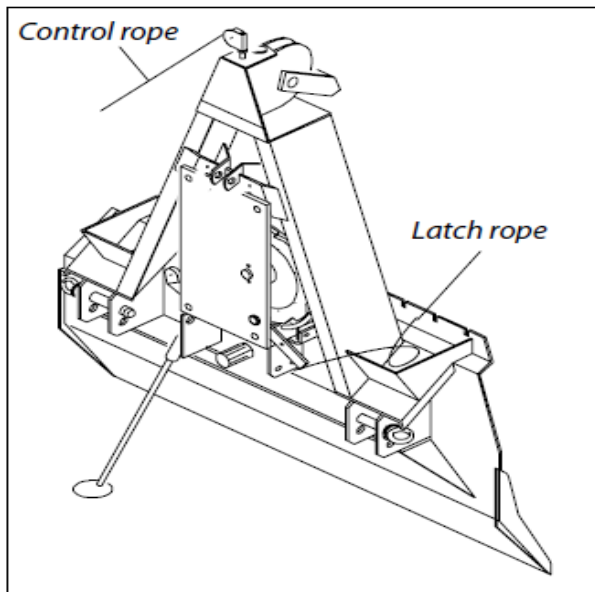


**WARNING!**

**Get acquainted with the controllers of the winch before the use, tests the stopping functions of the winch and the tractor and all other functions. Each function has to be in perfect condition.**

## WINCHING

1. The winch is equipped with a clutch, which will be used by the control rope. When the user draws the control rope, the winch begins to draw in the cable. Winching will stop when the rope is released.
2. The end of the cable drum is equipped with a friction clutch, which slips, if the load is too heavy. This prevents cable break or damages if the load gets caught.



**Fig. 4.**  
**Controls**

## DISCONNECTING THE SKIDDING WINCH FROM THE TRACTOR

1. Lower down the skidding winch outriggers and lock them with the lock pins.
2. Lower down the skidding winch on hard, even surface.
3. Make sure that the skidding winch cannot fall over.
4. Disconnect the electric power, if the skidding winch is equipped with electro-hydraulic control.
5. Make sure that all the components of the skidding winch and the tractor have stopped moving.
6. Disengage the articulated shaft.
7. Disconnect the push bar from the skidding winch.
8. Disconnect the drawbars from the skidding winch.

## STORAGE

1. Store the skidding winch on hard, even and dry surface.
2. Store the skidding winch in an area not frequented by people.
3. Never allow children to play near the skidding winch.
4. Make sure that the skidding winch cannot fall over during storage.

## OPERATION

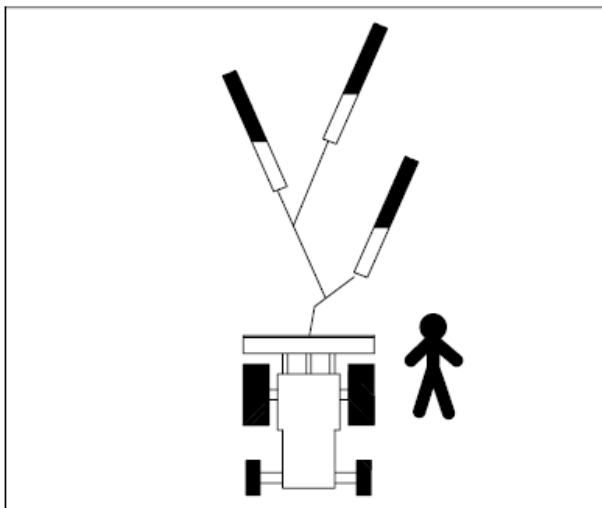
### SAFETY PRECAUTIONS



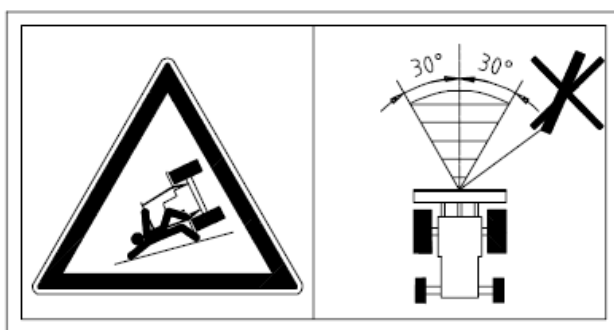
**WARNING!**

**Read the operation instructions before operating this machine! It is the owner's responsibility to instruct all equipment operators and support personnel in the operation of this winch.**

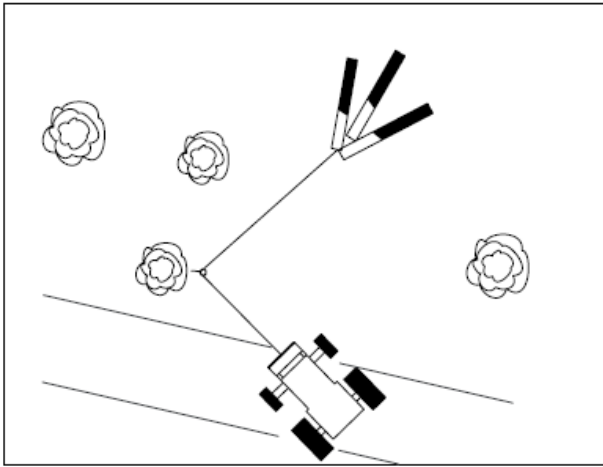
1. Choose a horizontal, hard based skidding route for the tractor. Avoid steep slopes, especially when winching from the side. Check that the winching trail is clear and that the tractor's parking brake is on. Do not run the tractor at a high idle when winching. Maximum P.T.O speed is 540 rpm. Ensure that the logs can be drawn freely. Be especially careful when working on slopes. Avoid winching sideways at angles exceeding 30 degrees. Use snatchblock which is fastened to the tree if needed. (See fig. 7.)
2. The safest place for the operator is at the back left side of the winch, allowing good visibility. See fig. 21. Take care that there is no one in the working area.
3. The tractor must have a ROPS cab and front end weights.
  - a. Always position the tractor on a flat ground in line with the direction of the pull (see fig. 5). Avoid working in steep terrain. Ensure nothing is blocking the path of trees.
  - b. Avoid an unnecessarily strong pulls, the tractor may roll over.
  - c. Adjust the tractors rpm's according to the conditions.
  - d. Use a shield between the seat and the winch (e.g. safety cab or protective screen) if you run the winch from the tractor seat.
  - e. Use agreed signals when working in groups.
4. When you use a light tractor, there is a very big risk that the tractor will roll over. To avoid that risk, you must add extra weight to the front of the tractor.
  - a. The falling danger of the tractor can be reduced by winching through the lower snatchblock.



**Fig. 5.**



**Fig. 6.**  
**Do not winch sideways at angles exceeding 30 degrees. The tractor can tilt.**



**Fig. 7.**  
Use a diverting pulley to avoid winching sideways.

### MOUNTING AND USE OF THE LOWER DIVERTING PULLEY

1. Usually the logs are winched in through the upper pulley of the winch. This lifts the logs and they dig less into the ground. The weight of the load also pushes the blade into the ground thus anchoring the winch and the tractor to the ground.
2. The winch has a lower diverting pulley. The main use of the lower diverting pulley is to lower the pulling point. This enables larger loads to be skidded out. For skidding out the load the cable is transferred to the lower diverting pulley.
3. Several logs can be hooked up and winched in at one time by means of keyhole sliders on the cable. The skidding chain should have a pin on the end, which makes it easier to pass the chain underneath the tree. See fig. 8.



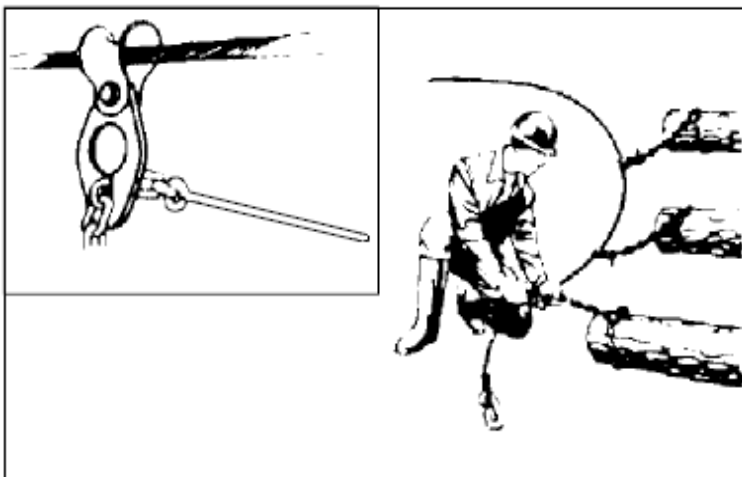
**CAUTION!**

**When using the lower diverting pulley make sure that it follows the direction of the cable. Otherwise, the cable will be damaged, when it is pressed between the diverting pulley and the lower diverting pulley frame.**



**CAUTION!**

**When winching an unloaded cable, make sure that the finger guard doesn't rise up with cable and doesn't cause cable to crosscut.**



**Fig. 8.**  
Use a keyhole slider to winch several logs at one time.

## WINCHING



### CAUTION!

**Before using the winch, you have to pull the cable completely out of the drum and winch the cable back on the drum with a heavy load. Otherwise the cable will be damaged.**

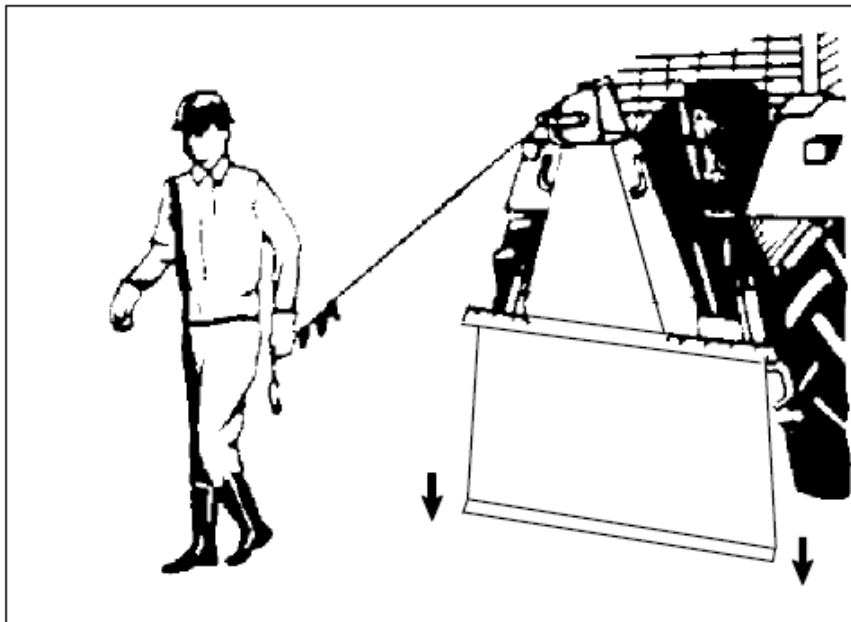
1. Park the winch and tractor on level, stable ground. Lock the brakes of the tractor before winching. Lower the 3-point hitch so that the dozer blade anchors the winch to the ground. See fig. 9.



### CAUTION!

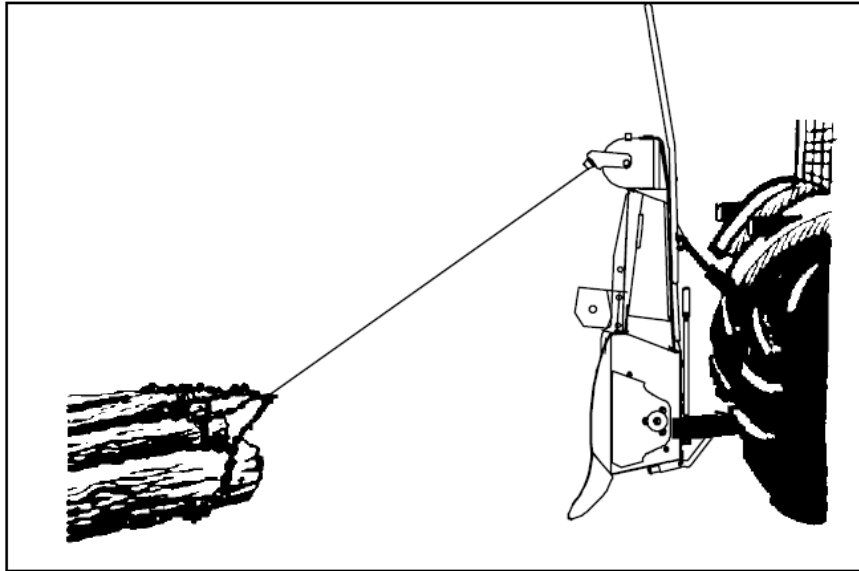
**Do not let the dozer blade sink too deeply into the ground, so that the PTO shaft is not damaged.**

2. Before using the skidding winch, make sure that the lower diverting pulley, the upper diverting pulley and the finger guard move freely.



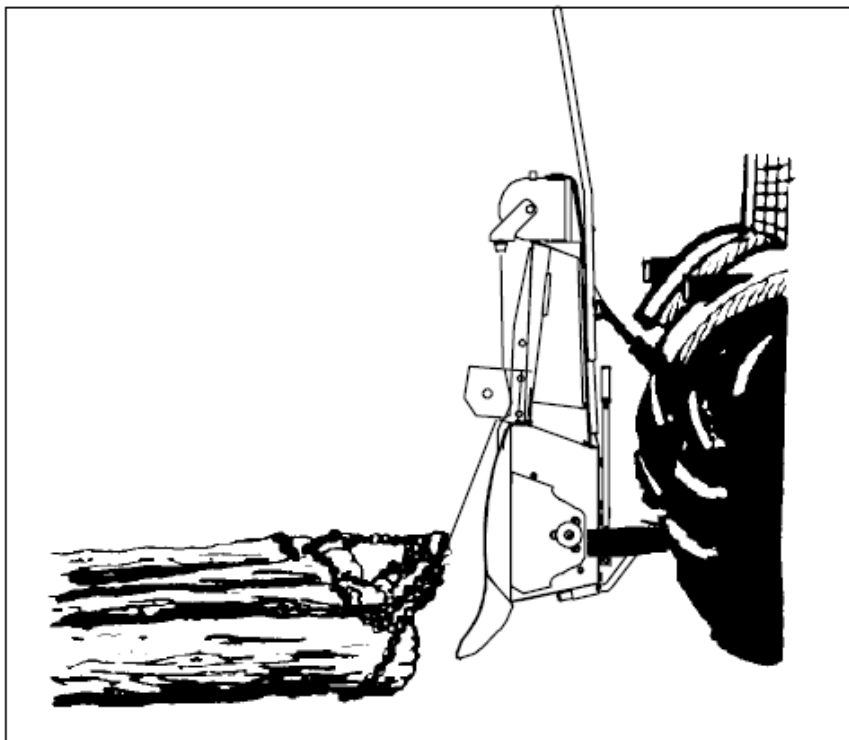
**Fig. 9.**  
**Anchor the dozer blade to the ground.**

3. Draw the cable to the load but avoid twitches. Do not draw out too much cable to avoid loose spaces when the cable is reeled in.
4. Start the tractor, turn the PTO on. Use the winch with the control rope and stand in a safe place at a distance of at least 2 m (6 ft) from the winch. Use the upper snatchblock when winching.
5. Operate the clutch firmly. Avoid sliding the clutch to avoid warming of the clutch. Stop winching by letting go of the control rope for the leave. The clutch will slip when the load is heavier than the selected pull. This prevents damages to the cable or winch. Avoid extra large loads. The winding speed depends on the number of revolutions of the tractor. Do not wind too fast.
6. Stop winching when the logs are at about 1,5-3 m (5-10 ft) from the tractor. Install the cable on the lower diverting pulley.



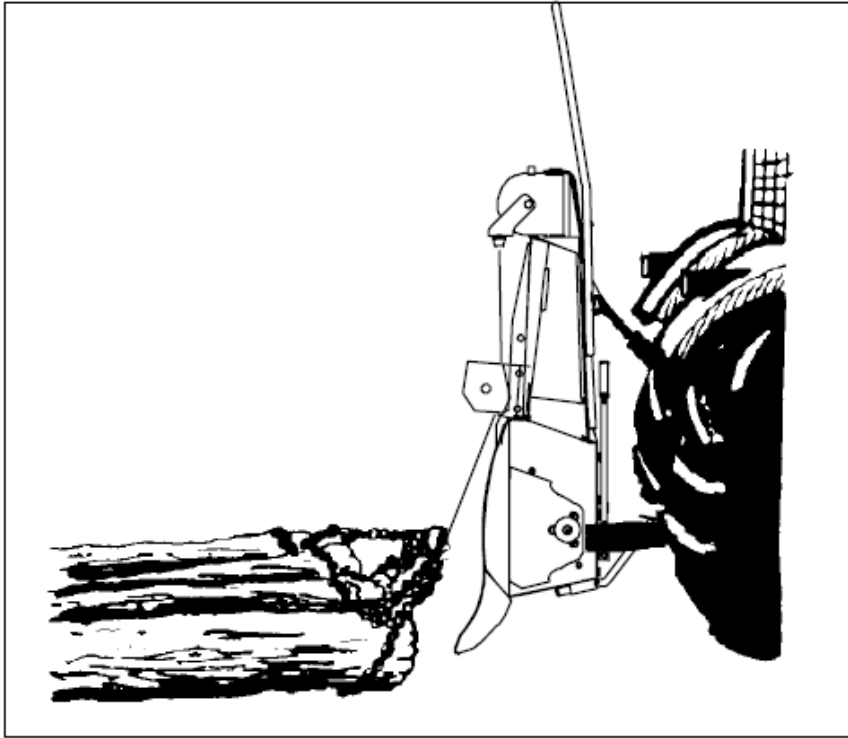
**Fig. 10.**  
Winching over the upper  
diverting pulley

## SKIDDING



**Fig. 11.**  
Cable on the lower  
diverting pulley

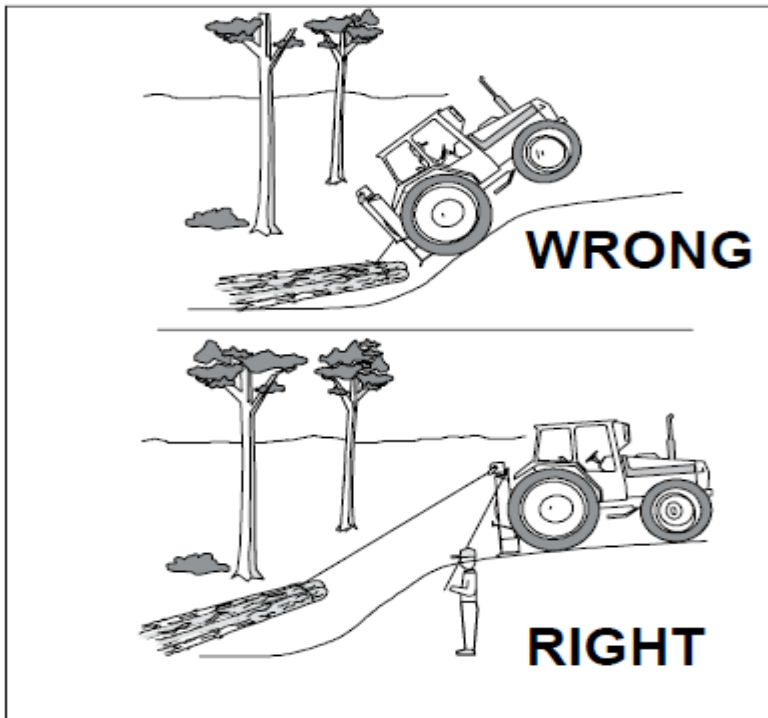
1. Turn the P.T.O on. Pull the clutch control rope and winch the logs to the pulley. Keep the tension on the cable and pull the thinner rope that operates the brake ratchet. Stop pulling on the clutch rope first. The load is now locked in place. Alternatively the skidding chains can be attached to the notched beam.
2. Turn off the P.T.O.
3. Raise the 3-point hitch so that the logs come off ground (fig. 12.).
4. Move the logs to the desired place.



**Fig. 12.**  
Cable on the lower diverting pulley

### WORKING IN ROUGH TERRAIN

Drop the load before you reach bad terrain. Drive through the bad spot. Winch in the load again (Fig. 13).

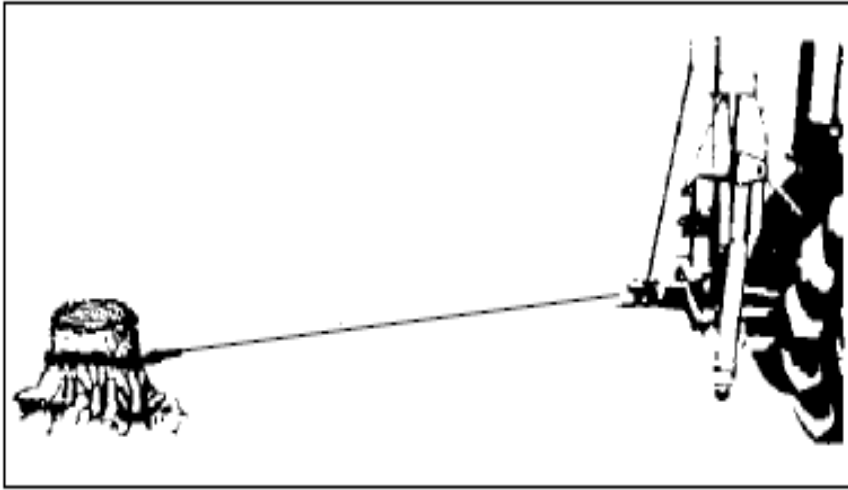


**Fig. 13.**  
Driving through bad terrain

### IF YOU GET STUCK WITH THE TRACTOR

1. Drop the load. Drive the tractor to firm ground. Winch in the load.
2. If you cannot move the tractor, release the load and winch the tractor out. When winching the tractor out, always run the cable under the lower pulley.





**Fig. 14.**  
**Winching the tractor out**

### **DROPPING THE LOAD**

1. Let down the 3-point hitch.
2. Pull the clutch rope until the brake ratchet releases, then stop pulling the clutch rope. The logs drop to the ground.

### **TRANSPORTATION**

The cable should be run under lower diverting pulley and locked in place for transportation of the winch.

### **MAINTENANCE**

#### **SAFETY**



**DANGER!**

**Disengage the P.T.O and turn the tractor off before you service the winch, remove the keys so the tractor cannot be started up accidentally.**

#### **LUBRICATION**



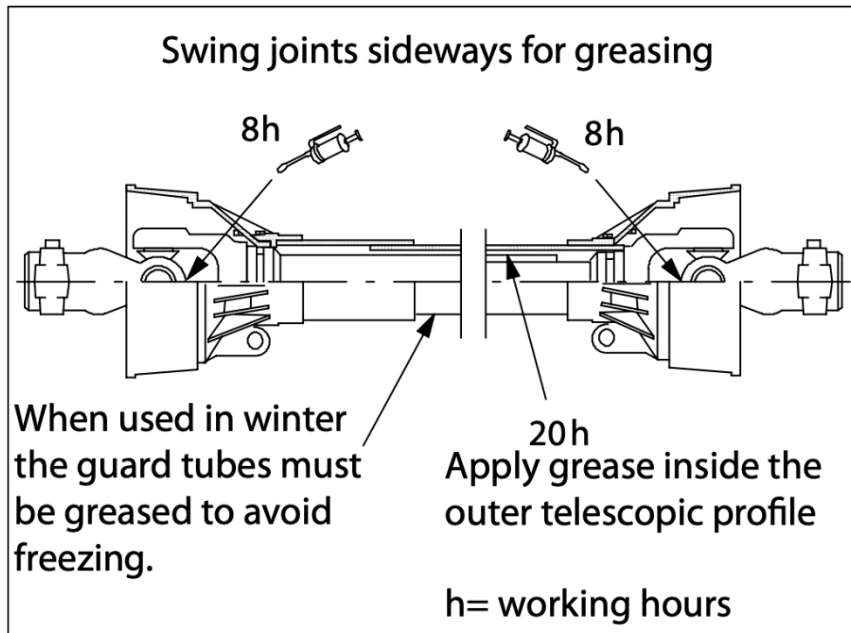
**CAUTION!**

**Do not oil the drive chain, because the oil will work its way to the clutch!**

The cable drum, main sprocket and snatchblock are fitted with self lubricating bearings.

Following points require lubrication:

1. Grease the drum clutch parts after every 500 working hours. Always use good quality lubrication grease.
2. Grease the PTO-shaft regularly and always before use as shown in figure 15.
3. Grease the drum chain lightly (not with oil) after every 50 working hours with spray type, hardening chain grease. Wipe off the excessive grease.



**Fig. 15.**  
**P.T.O shaft lubrication**

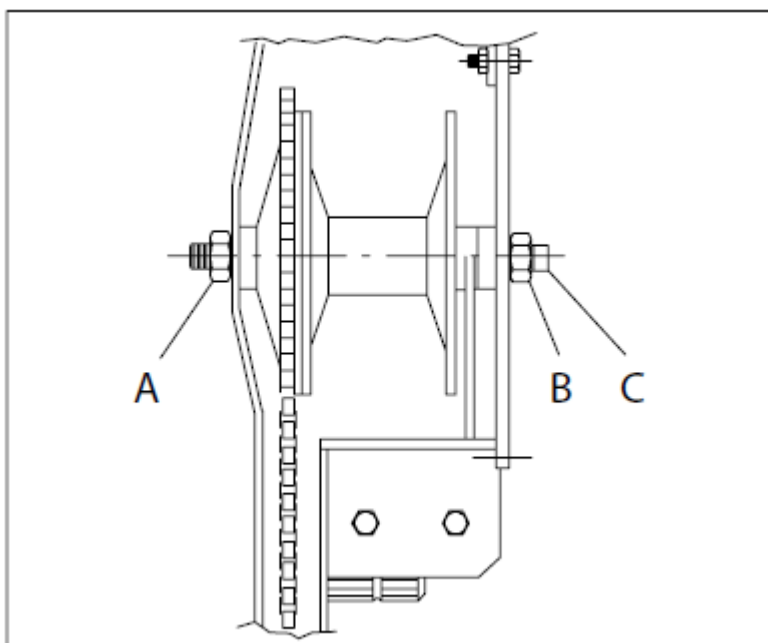
### **CLUTCH ADJUSTMENT**

Loosen the nuts A and B at both ends of the drum axle. Wrench opening 1 7/16" (36 mm).

Adjust the clutch by turning the axle C with 9/16" or 14 mm wrench. The clutch tightens clockwise, loosens counterclockwise. Turn max. 1/4 turn.

After adjustment retighten the nuts A and B on the ends of the drum axle.

Pull the control rope. The lever should move up 1.5" (4 cm) before the clutch engages. If the clutch engages earlier loosen the clutch setting.



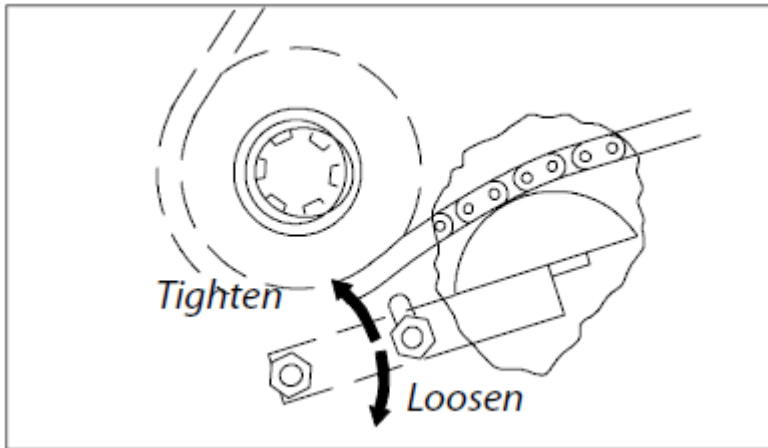
**Fig. 16.**  
**Clutch adjustment**

### **ADJUSTING THE ROLLER CHAIN TIGHTNESS**

Roller chains tightness adjustment is carried out by moving the chain tightener. See fig. 17.

1. Loosen the two bolts holding the chain tightener (11/16" or 17 mm wrench).
2. Adjust the chain tightness by moving the chain tightener towards or away from center.

3. Tighten the nuts.
4. Check that the chain tightener runs on the rollers.
5. **NOTE! Do not over tighten the chain.**

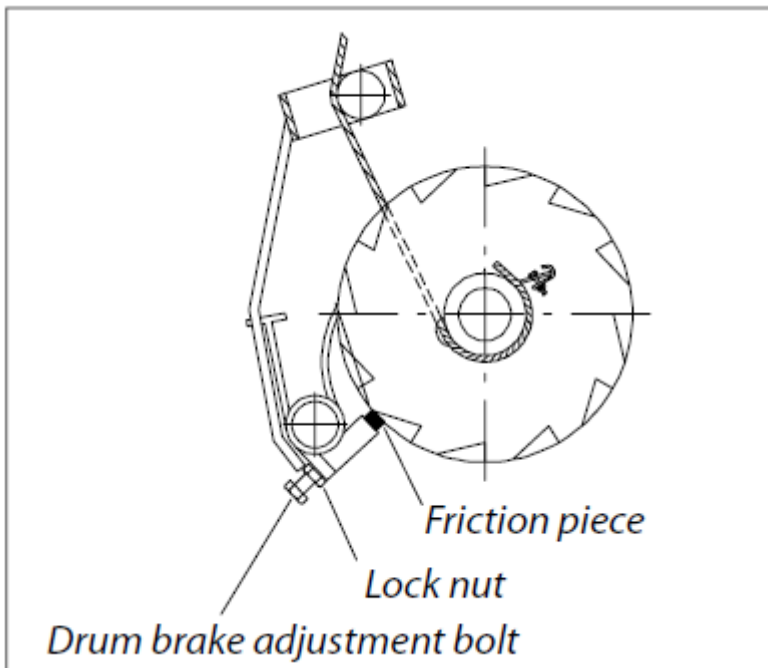


**Fig. 17.**  
**Tightening the roller chain**

### ADJUSTING THE DRUM BRAKE

Adjust the drum brake so that it slows down the drum slightly while pulling out the rope. This will reduce risk of tangling and backlash.

1. To increase the braking effect tighten the adjustment bolt. See fig 18. To decrease the braking effect loosen the adjustment bolt.



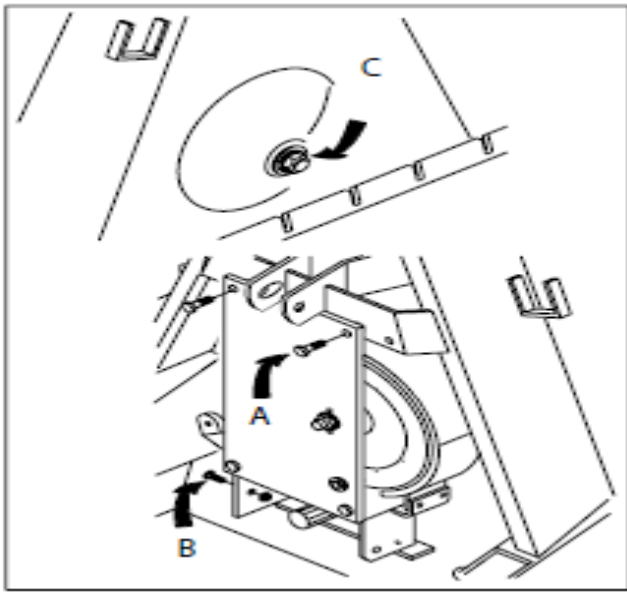
**Fig. 18.**  
**Drum brake adjustment**

### REMOVING THE WINCH MECHANISM

The whole winch mechanism can be removed in one piece from the frame. To remove the winch mechanism from the winch (e.g. in order to change the roller chain) follow the instructions below:

1. Park the winch on a level, stable ground so that it leans a little backwards.
2. Remove the cable.
3. Remove the fastening bolts (fig. 19 pos. B) beside the drive shaft. Socket size 24 mm (15/16”).

4. Remove the two bolts (fig. 19 pos. A) at the upper edge of the cover plate. Socket size 24 mm (15/16").
5. Remove the drum axle nut (fig. 19 pos. C) and the washer. Socket size 36 mm (1 7/16")
6. Pull out the winch mechanism. Weight 148 lbs (67 kg).

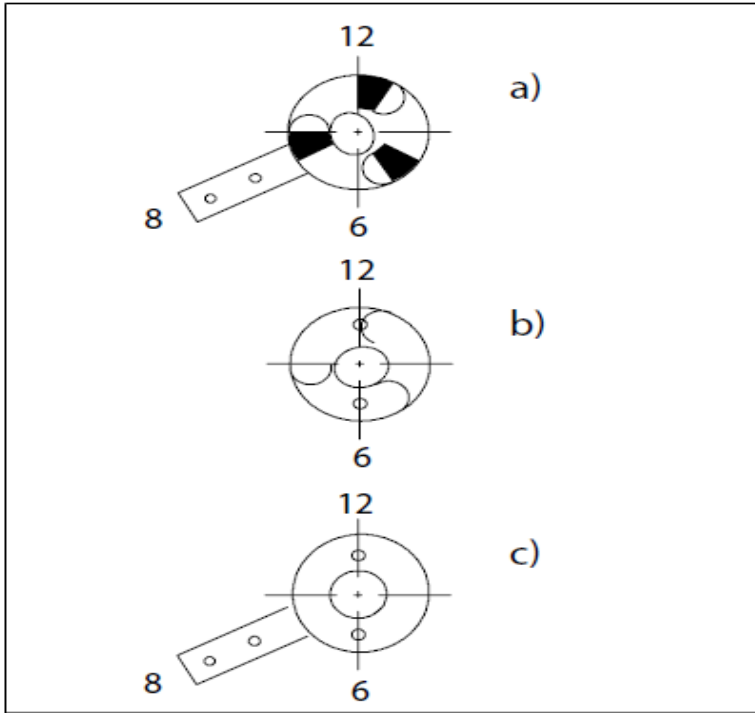


**Fig. 19.**  
**Removing the winch mechanism**

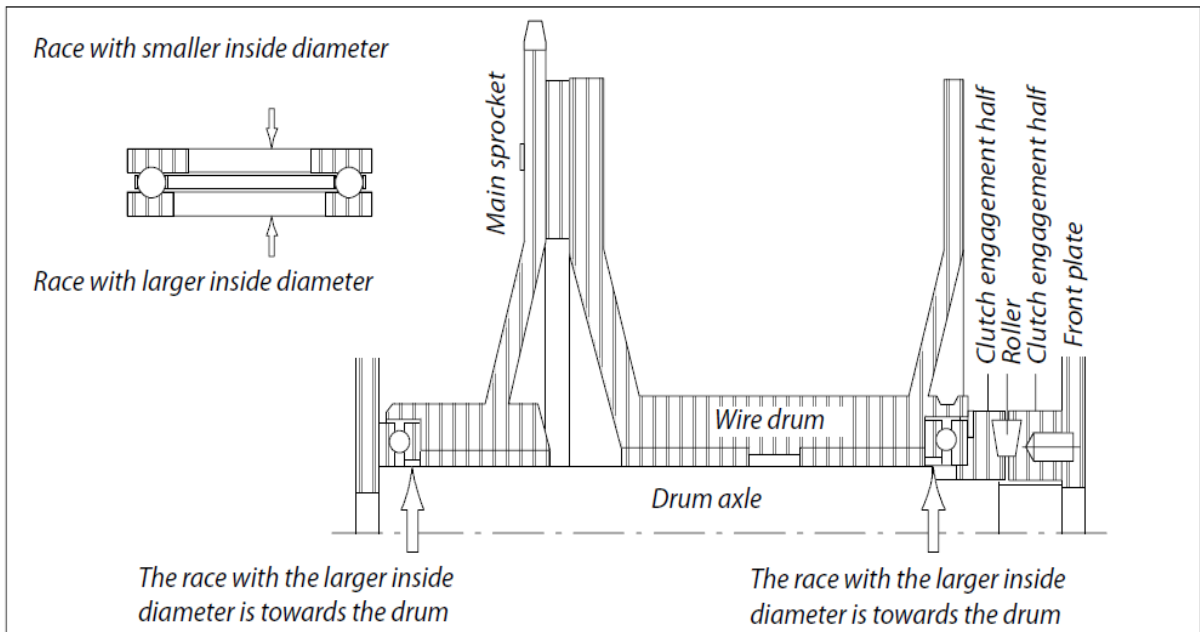
### ASSEMBLY OF THE MECHANISM

Make sure that the both pressure bearings are installed in a correct position, that is, the bearing with bigger internal diameter should be facing the cable drum (figure 21). Make sure that the position of the two clutch engagement halves is correct (fig. 20).

1. Place one of the clutch engagement halves on the working table so that the handle is at 8 o'clock position and the 3 slanted surfaces face up.
2. Grease the 3 slanted surfaces with vaseline and place the 3 rollers on the bottom of the slanted surfaces so that the thin ends point towards the middle. The other clutch engagement half (without handle) has 3 slanted surfaces on one side and two holes drilled on the other side (fig 20). Two studs on the back of the front plate will fit into these holes later on when the winch is assembled.
3. Place one clutch engagement half (without the handle) so that the halves bottom out when the handle is at 8 o'clock position and the two holes are at 12 o'clock and 6 o'clock (fig. 20). Be careful, there is only one correct position! Tape the halves together so that they will stay together when you mount them on the drum axle.
4. Install a protective plate. Check the clutch adjustment.



**Fig. 20.**  
Reassembling of the clutch engagement halves



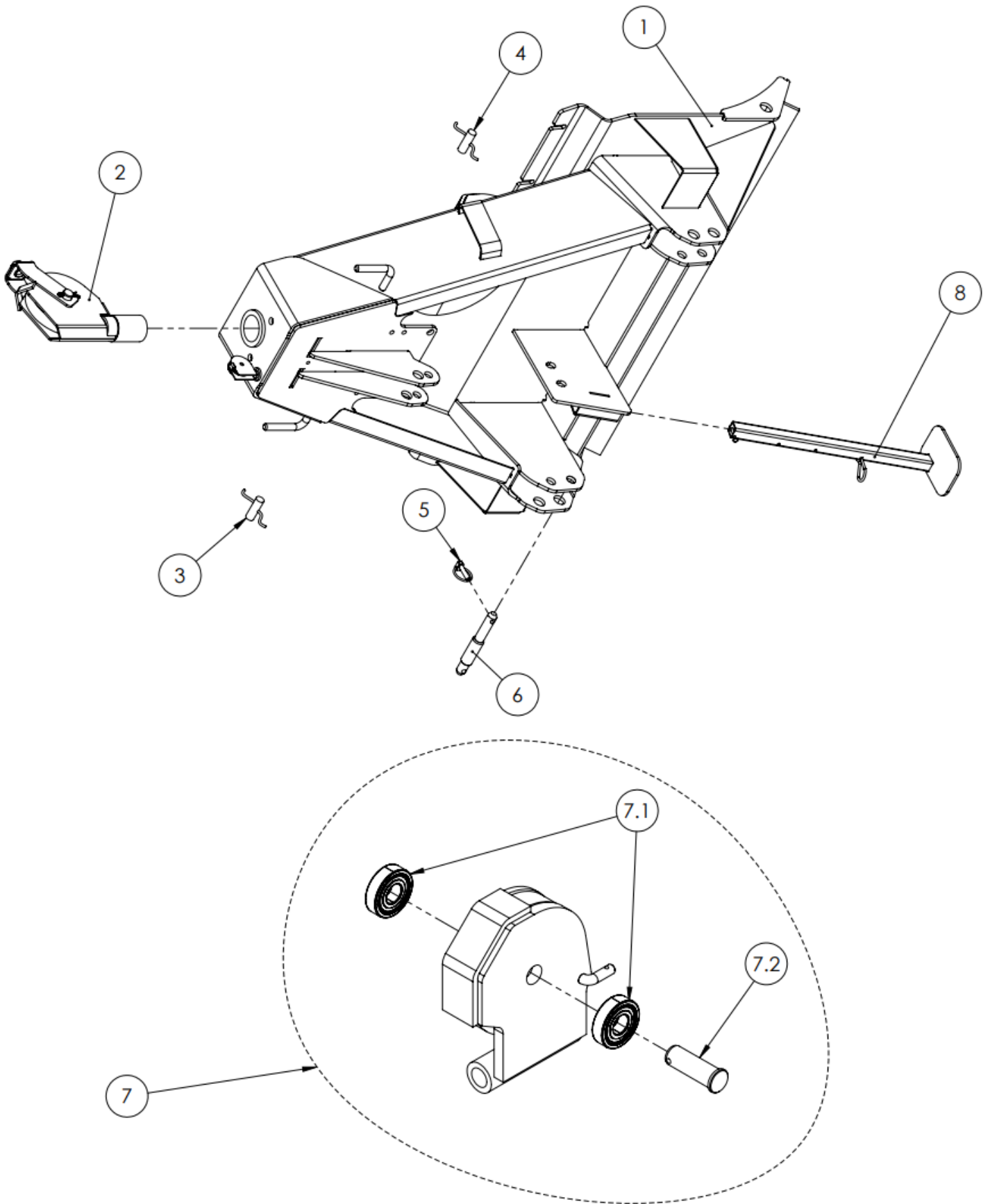
**Fig. 21.** Correct positioning of the thrust bearings

## TROUBLE SHOOTING

CONDITION	POSSIBLE CAUSE	REMEDY
Hard to pull the cable out	Drum brake is too tight.	Loosen the drum brake. See instructions from item "Adjusting the drum brake".
Cable gets tangled on the drum.	Cable too loose on the drum. The cable is pressed between loose loops.	Loosen the pin and pull the cable from the reel with the help of a tractor. Reel the cable tightly back in with the help of the load.
Cable develops kinks.	Cable brake too loose	Tighten the drum brake. Tighten cable on the drum by pulling out the cable and by winching with a heavy load.
Roller chain comes off.	Roller chain too loose, some part is broken or the aligning is incorrect.	Check the alignment of the chain. Check possible damages. Adjust the roller chain, change if necessary. See chapter "Adjusting the roller chain".
Rattling sound	Roller chain too tight, some part is broken or the aligning is incorrect.	Check the alignment of the chain. Check possible damages. Adjust the roller chain, change if necessary. See chapter "Adjusting the roller chain".
Insufficient pull on the cable	Normal wear of the clutch. Minimum thickness of the clutch plates is 7 mm.	See chapter "Clutch adjustment"
	Oil or grease in the clutch	Disassemble and clean the parts.
	Clutch too loosely adjusted	Adjustment of the clutch. See chapter "Clutch adjustment"
Tractor slides backwards when winching	Parking brakes are not on. Dozer blade does not anchor the unit firmly to the ground.	Lock on the parking brakes. Lower the winch all way to the ground.

# SPARE PARTS

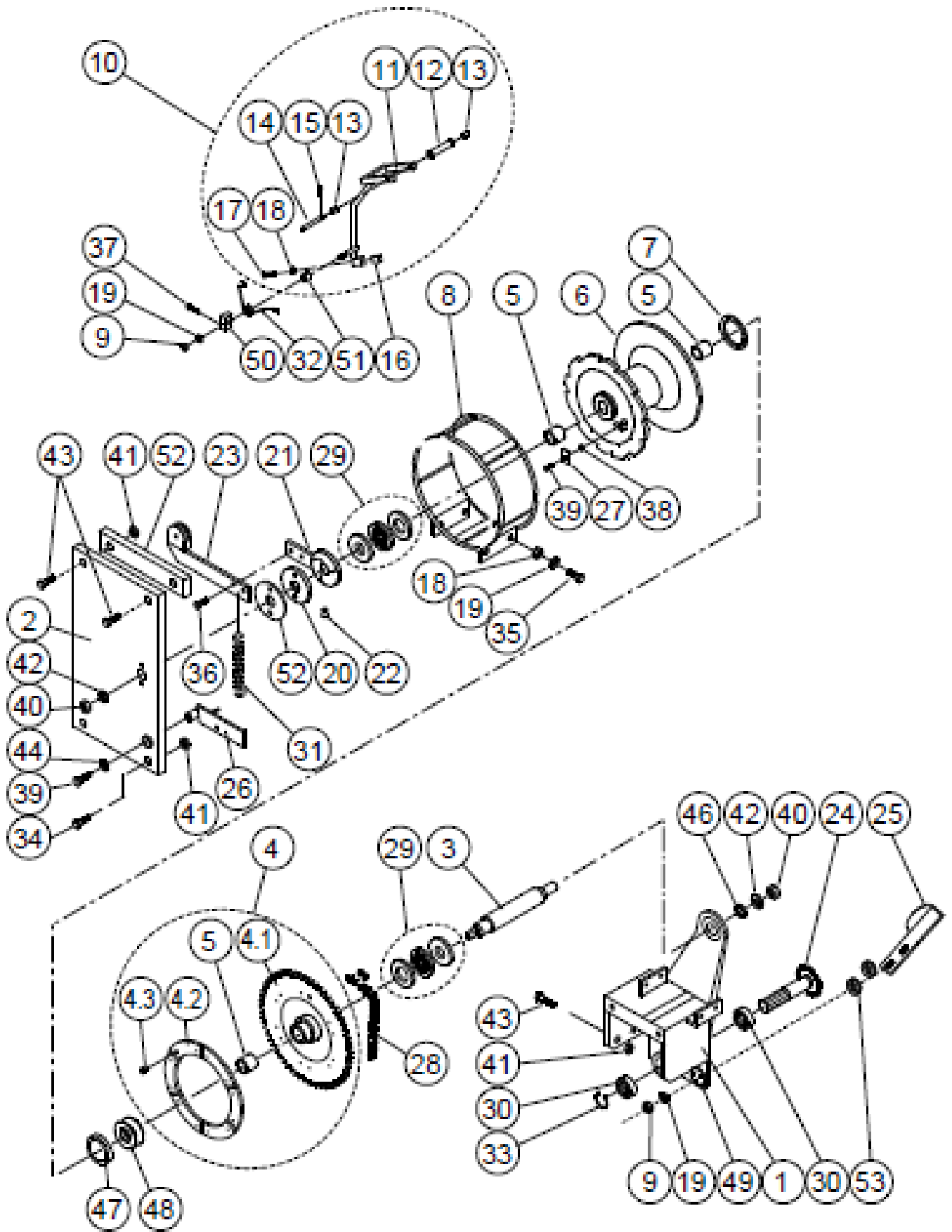
## FRAME



**FRAME**

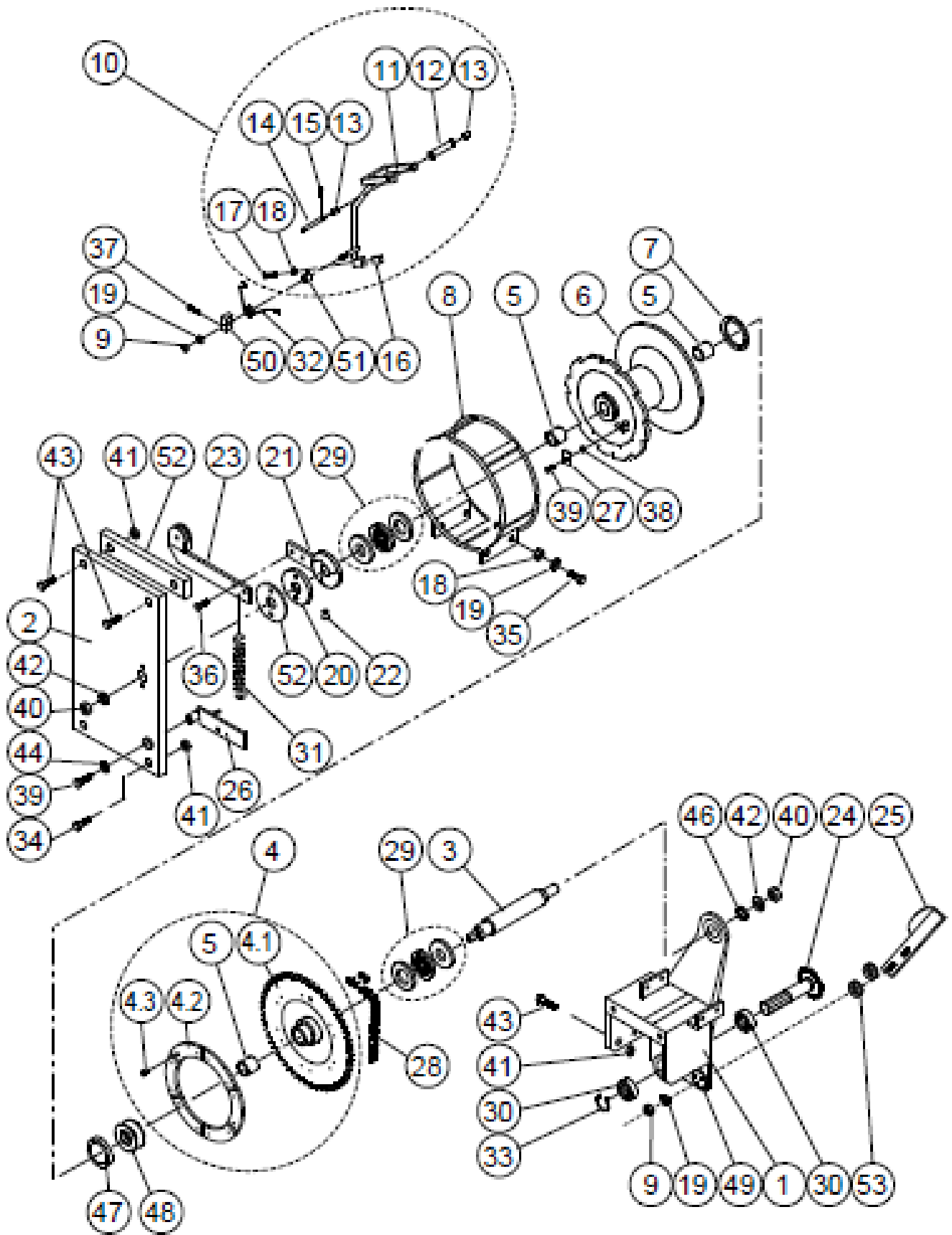
<b>Part</b>	<b>Order no</b>	<b>Description</b>	<b>Remarks</b>	<b>Qty</b>
1	33037400	Frame		1
2	43184360	Upper diverting pulley	complete	1
3	02721611	Clutch rope	L = 5m	1
4	02721629	Latch rope	L = 3,5m	1
5	52842150	Ring splint	10X45	2
6	200006024	Pin		2
7	43184440	Lower diverting pulley	complete	1
7.1	54511159	Slotted sealed ball bearing		2
7.2	52854346	Pin		1
8	200006175	Support leg		1





## MACHINERY

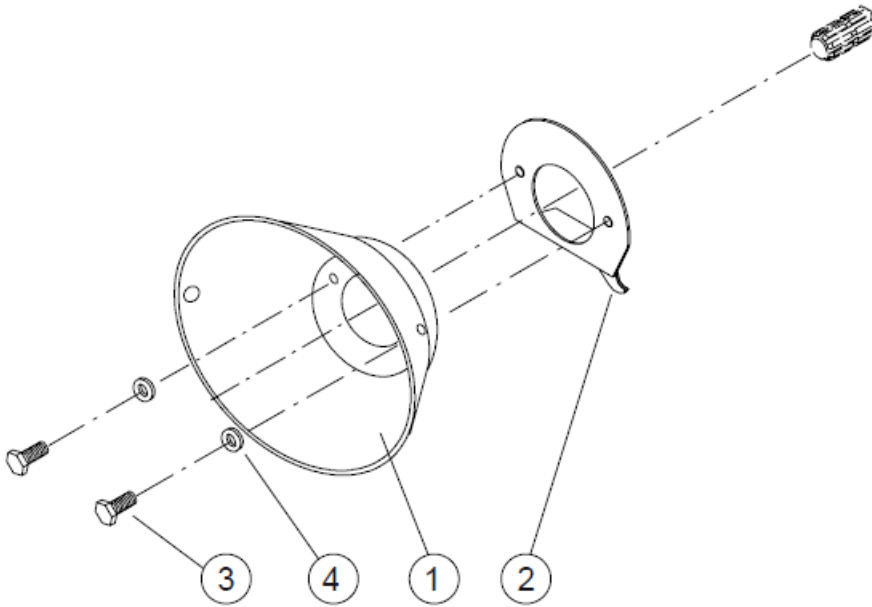
Part	Order no	Description	Remarks	Qty
1	23010523	Frame		1
2	200003661	Front plate		1
3	33010059	Axle		1
4	200003658	Sprocket	complete	1
4.1	200003657	Sprocket		1
4.2	42722744	Friction plate		6
4.3	52830015	Rivet	1/4X3/4 MS DIN 7338-B	12
5	54562053	Slide bearing		3
6	200003679	Drum	complet	1
7	52390838	Felt ring		1
8	33010109	Drum cover		1
9	52117108	Lock nut	M10 DIN985 8ZN	2
10	43010164	Drum brake	complet	1
11	43011290	Drum brake		1
12	43011240	Roller		1
13	43190860	Bushing		2
14	43010222	Axle		1
15	52813094	Split pin	4X25 DIN94 ZN	1
16	42723197	Friction piece		1
17	52060258	Screw	M10X40 DIN933 88ZN	1
18	52110046	Nut	M10 DIN934 8ZN	7
19	52200045	Washer	M10 DIN126 58ZN	7
20	32722779	Clutch engagement half		1
21	42723114	Clutch engagement half		1
22	40660235	Roller		3
23	42722785	Clutch lever		1
24	200003660	Groove shaft		1
25	43000108	Chain tightener		1
26	43000645	Drum lock hatch		1
27	42723163	Key		1
28	54820502	Roller chain		1
29	54542063	Ball thrust bearing		2
30	54511274	Slotted sealed ball bearing		2



## MACHINERY

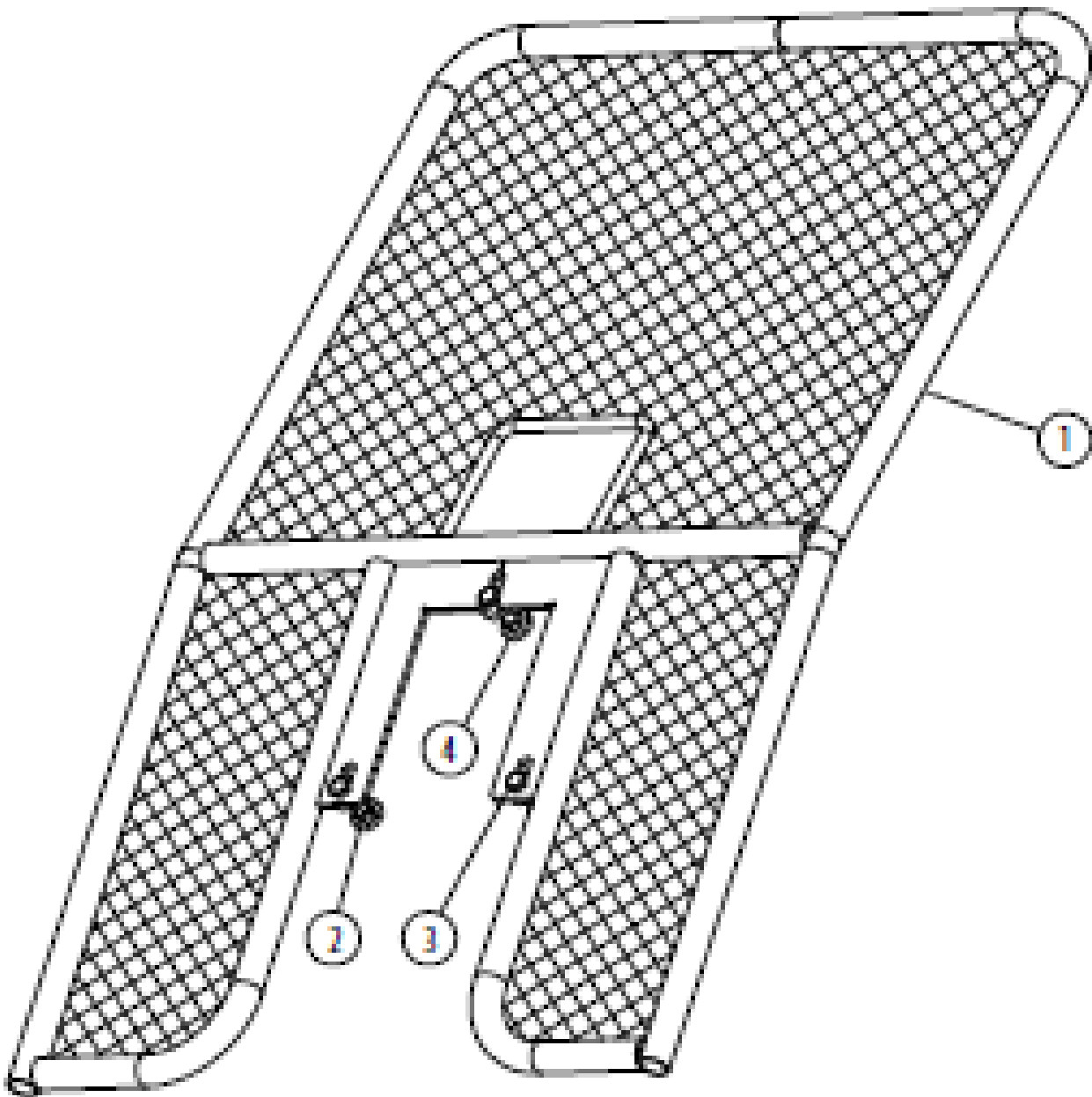
Part	Order no	Description	Remarks	Qty
31	94612082	Tension spring		1
32	94624046	Torsion spring		1
33	52230067	Circlip	35X2,5 DIN471	1
34	52062122	Screw	M16X50 DIN933 88ZN	2
35	52060225	Screw	M10X25 DIN933 88ZN	4
36	52060209	Screw	M10X16 DIN933 88ZN	2
37	52060514	Screw	M10X20 DIN933 88ZN	2
38	52117082	Lock nut	M8 DIN985 8ZN	1
39	52060118	Screw	M8x16 DIN933 88ZN	1
40	52110103	Nut	M24 DIN934 8ZN	2
41	52110079	Nut	M16 DIN934 8ZN	6
42	52200102	Washer	M24 DIN126 58ZN	2
43	52062106	Screw	M16X30 DIN933 88ZN	4
44	52200235	Washer	M8 DIN9021 58ZN	1
45				
46	43000678	Ring	D65	1
47	43010404	Bushing		1
48	54642194	Cup spring	99X70.5X1 DIN2093	2
49	43100610	Eccentric piece		1
50	43010420	Plate		1
51	43011410	Sleeve		1
52	200003663	Flange		1
52	43010040	Flat iron		1
53	52200490	Washer	ZN, M12, DIN7349	2

## COVER OF THE UNIVERSAL SHAFT



Part	Order no	Description	Remarks	Qty
1	54821756	Cover of the universal shaft		1
2	43402180	Fastener of the cover		1
3	52060100	Screw	M8X12 DIN933 88ZN	2
4	52200235	Washer	M8 DIN9021 58ZN	2

PROTECTIVE SCREEN



Part	Order no	Description	Remarks	Qty
1	33185110	Protective screen		1
2	52110046	Nut	M10 DIN934 8ZN	8
3	52060944	Screw	M10X60 DIN933 88ZN	3
4	52200490	Washer	M12 DIN 7349 ZN	6

## ACCESSORIES

Part	Order no	Description
W 2300	54821012	PTO-shaft, 34 kW
Belt TP14	54713037	Belt for TP14
TP14 IH	30118120	Self releasing pulley, max. 3,5 t, without belt
LK2-TK10	54817077	Notched hook
JK 208	54827019	Skidding chain L = 2,0 m
JK 248	54827043	Skidding chain L = 2,5 m
LL 2	54813159	Choker (cable 8-12 mm)
Steel Rope D8	200006142A	Steel Rope with hook D=8mm, L=50m
Steel Rope D10	200006142C	Steel Rope with hook D=10mm, L=50m
Steel Rope D10	200006142D	Steel Rope with hook D=10mm, L=65m



Farmi Forest  
Kilpivirrantie 7  
74120 IISALMI  
FINLAND