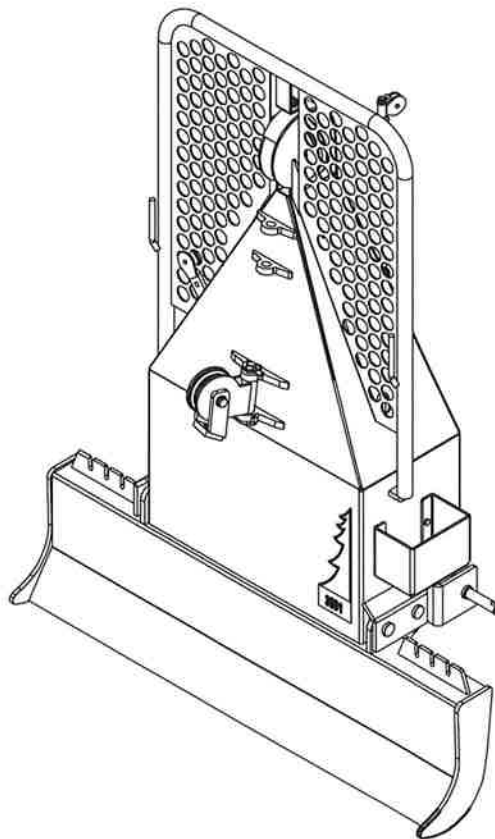


# IGLAND 3501



## NØSTED & AS

- Gjengivelse av tekst og tegninger uten tillatelse forbudt.
- Reproduction of text or illustrations without permission is prohibited.
- Eine wiedergabe von Texten und Zeichnungen ohne unsere Genehmigung ist nicht gestattet.
- Interdiction de taute reproduction de texts ou d'illustrations sans autorisation préalable

Approved:	Revised: 29.11.2019
	Issued: 15.09.2011
	P/N: 390044
F:ADELEKATV	

## Nøsted &, IGLAND

Industriveien 30

N-4879 Grimstad, Norway

Phone + 47 37 25 62 00

Fax + 47 37 25 62 01

Mail: [corporate@igland-as.com](mailto:corporate@igland-as.com)

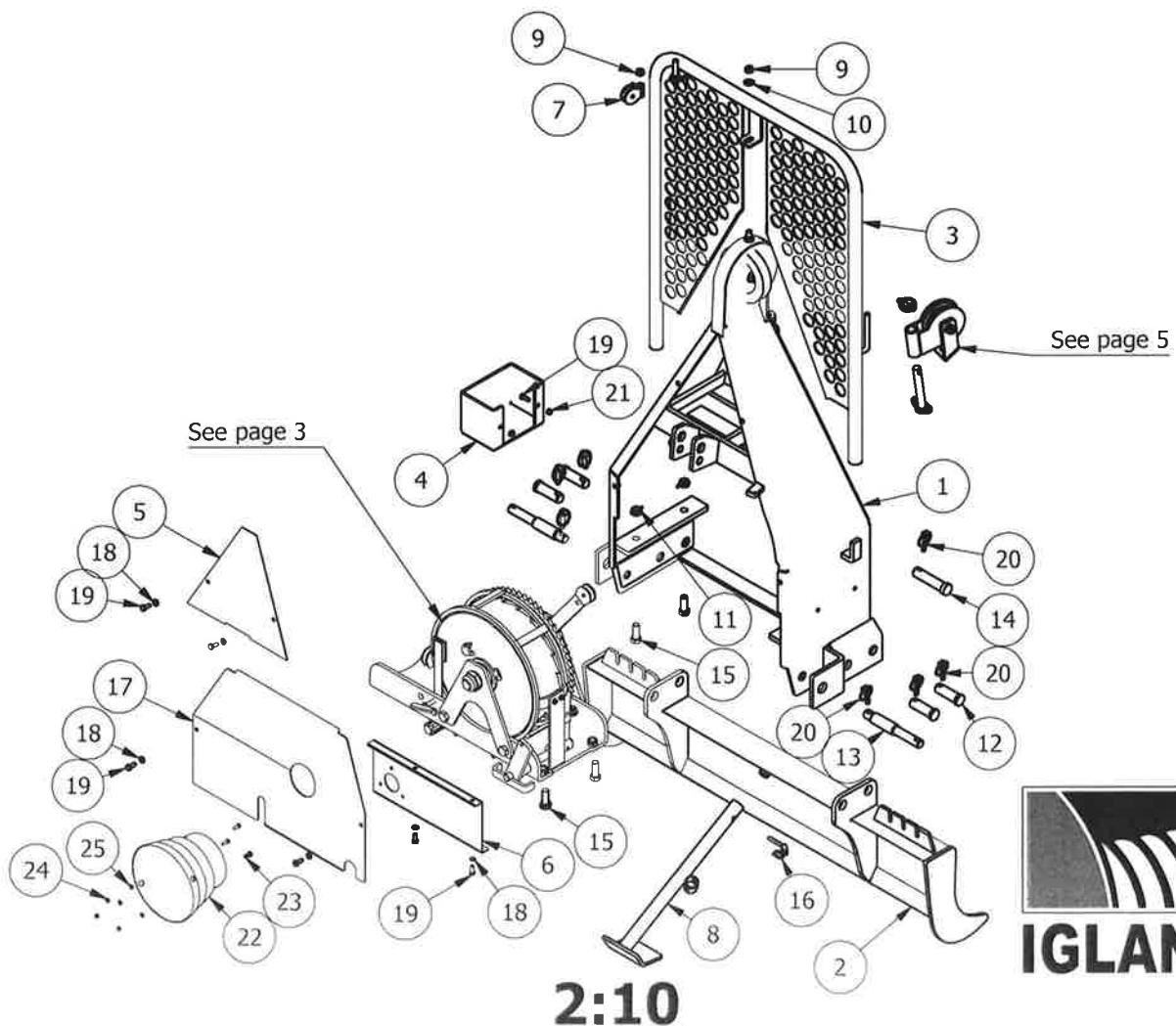
<http://www.igland-as.com>



# IGLAND 3501

## RESERVEDELSLISTE - SPARE PARTS LIST - ERSATZTEILLISTE

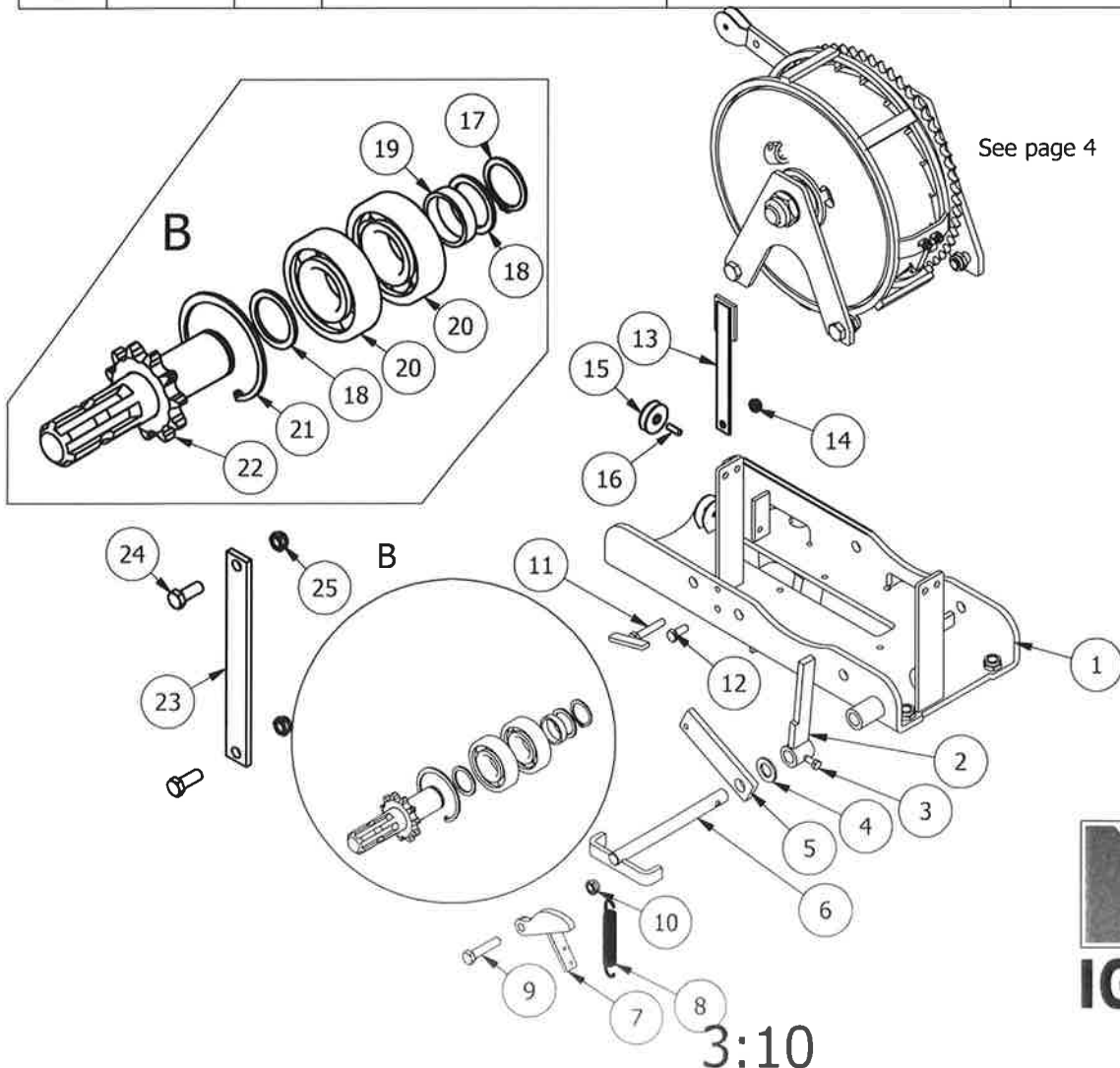
Pos	Art.No.	No	Beskrivelse	Description	Bezeichnung
1	135010	1	Karosseri	Chassis	
2	135014	1	Lunnepanne	Logging plate	
3	135018	1	Vernegitter	Protection grid	
4	145074	1	Verktøykasse	Tool box	
5	135036	1	Deksel, tårn	Cover, tower	
6	145083	1	Deksel	Cover	
7	145071	1	Blokk, betjenings-	Pulley	
8	135020	1	Parkeringsbein	Parking leg	
9	012270	2	Mutter	Hex Nut	
10	012274	1	Skive	Washer	
11	012350	3	Mutter	Hex Nut	
12	020170	4	Bolt, hengsle-,	Bolt	
13	021320	2	Bolt, trekkstang, kat. I-II	Bolt, kat I-II	
14	020177	1	Bolt, toppstag, kat. II	Bolt, kat II	
15	012925	4	Bolt	Hex-Head Bolt	
16	021006	1	Låsepinne	Locking bolt	
17	135038	1	Deksel, trommel	Cover drum	
18	012194	6	Skive	Washer	
19	012760	8	Bolt	Hex-Head Bolt	
20	021004	8	Orepinne	Locking bolt	
21	012198	2	Mutter	Hex Nut	
22	157867	1	Skjerm, PTO	Cover PTO	
23	012678	3	Bolt	Hex-Head Bolt	
24	012118	3	Mutter	Hex Nut	
25	012119	3	Skive	Washer	



# IGLAND 3501

## RESERVEDELISTE - SPARE PARTS LIST - ERSATZTEILLISTE

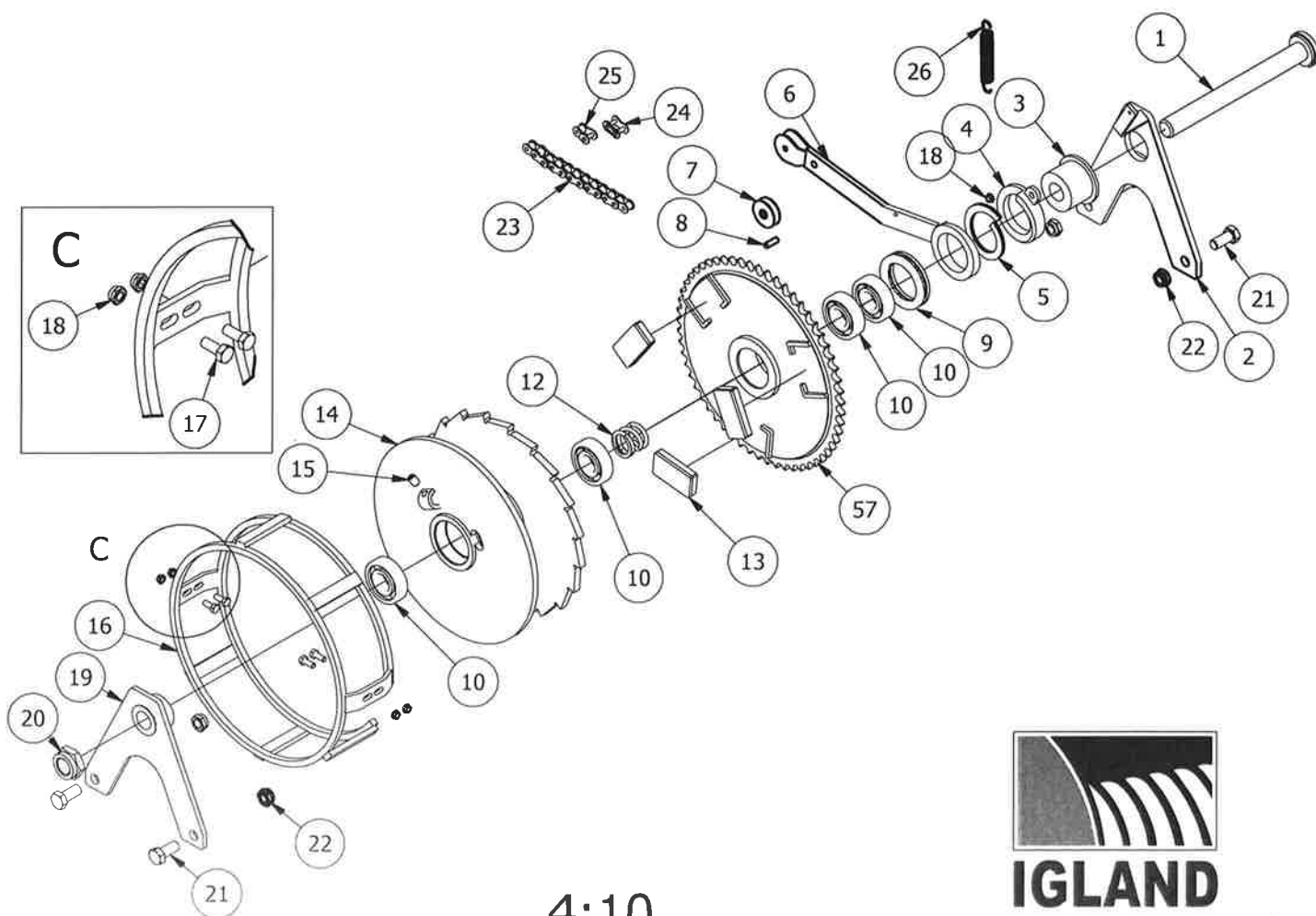
Pos	Art.No.	No	Beskrivelse	Description	Bezeichnung
1	135034	1	Grunnplate	Frame	
2	145060	1	Pal	Racket	
3	012758	1	Bolt	Hex-Head Bolt	
4	010415	1	Skive	Washer	
5	122064	1	Velgerspak	Lever	
6	135032	1	Aksel, pal	Axel, racket	
7	145055	1	Strammesko, kjede	Chain tensioner	
8	027250	1	Fjær	Spring	
9	012248	1	Bolt	Hex-Head Bolt	
10	012270	1	Mutter	Hex Nut	
11	145064	1	Skruer, friløpsregulering	Reg.screw	
12	012802	1	Bolt	Hex-Head Bolt	
13	145068	1	Subbbebrens	Anti backlash	
14	012231	1	Mutter	Hex Nut	
15	145072	1	Trinse	Pulley	
16	145073	1	Bolt	Bolt	
17	026719	1	Seegerring	Spring Retaining Ring	
18	031336	2	Shims, sett	Shim	
19	145096	1	Ring, avstands	Distance ring	
20	026063	2	Lager, kule	Bearing	
21	026909	1	Seegerring	Circlip	
22	145057	1	Kjedehjul med splinesaksling	Chain wheel with PTO	
23	135046	1	Støttestag	Support	
24	012325	2	Bolt	Hex-Head Bolt	
25	012350	2	Mutter	Hex Nut	



# IGLAND 3501

## RESERVEDELSLISTE - SPARE PARTS LIST - ERSATZTEILLISTE

Pos	Art.No.	No	Beskrivelse	Description	Bezeichnung
1	135022	1	Aksel, hoved-	Main shaft	
2	145045	1	Plate, side-	Main shaft support	
3	122028	1	Hylse, ekspansjons-	Sleeve, expansion	
4	122026	1	Ekspansjonsring med øre	Expansion ring w/ear	
5	026363	1	Lager, rulle, splittet	Bearing, special	
6	135024	1	Arm, ekspansjons-	Arm	
7	145072	1	Trinse	Pulley	
8	145073	1	Bolt	Bolt	
9	026350	1	Lager, kule, aksial-	Bearing	
10	026062	4	Lager, kule-	Bearing	
12	122020	1	Fjær, trykk	Spring	
13	145094	3	Clutchklosser, sett, 3 pcs.	Clutch pads, set	
14	135026	1	Trommel	Drum	
15	015566	1	Bolt	Hexagon Socket Set Screw	
16	135028	1	Grind, trommel-	Drum protection	
17	012760	4	Bolt	Hex-Head Bolt	
18	012198	5	Mutter	Hex Nut	
19	135030	1	Plate, side-	Shaft support	
20	012590	1	Mutter, hoved	Hex Nut	
21	017187	4	Bolt	Hex-Head Bolt	
22	012350	4	Mutter	Hex Nut	
23	070373	1	Kjede	Chain	
24	070369	1	Kjedelås	Chain lock	
25	070368	1	Halvledd, kjede	Chain 1/2 link	
26	027250	1	Fjær	Spring	



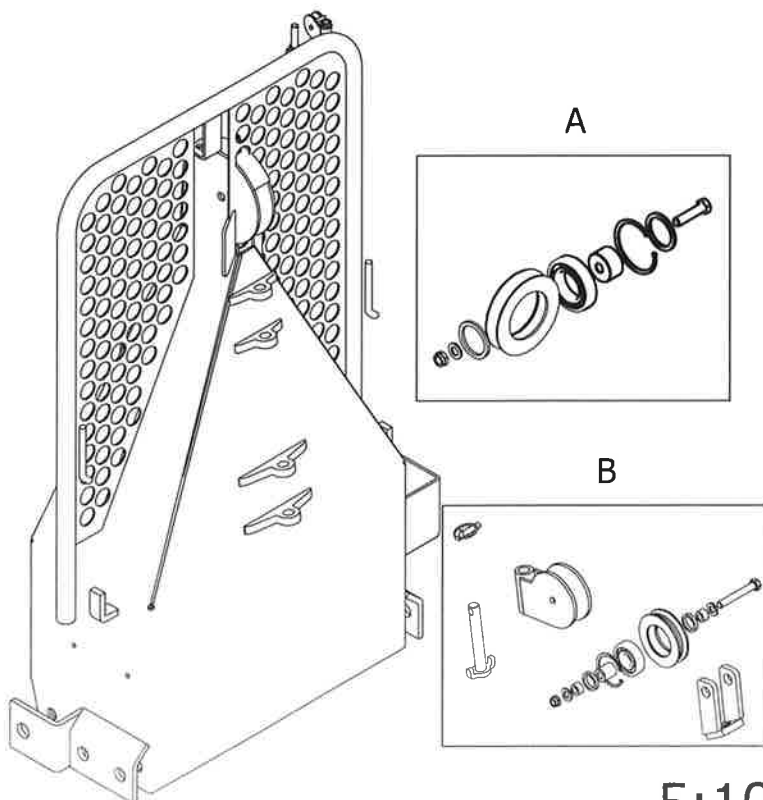
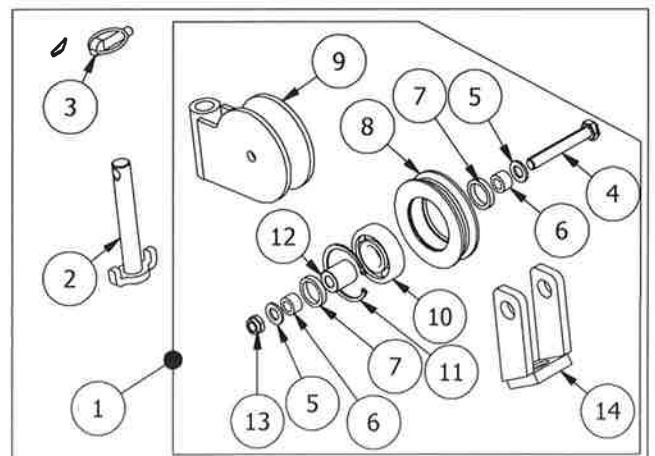
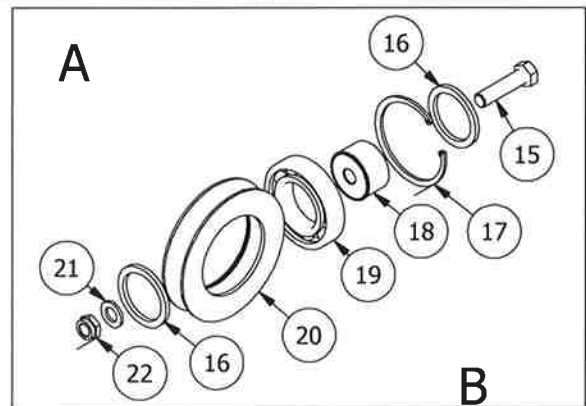
4:10



# IGLAND 3501

## RESERVEDELSLISTE - SPARE PARTS LIST - ERSATZTEILLISTE

Pos	Art.No.	No	Beskrivelse	Description	Bezeichnung
1	121620	1	Blokk, inntreksblokk	Haul in block	
2	135044	1	Bolt, inntreksblokk	Bolt, haul in block	
3	021004	1	Orepinne	Locking pin	
4	012254	1	Bolt	Bolt	
5	012274	2	Skive	Washers for hexagon bolts	
6	121633	2	Ring	Sleeve	
7	121634	2	Ring	Sleeve	
8	121614	1	Trinse, inntreksblokk	Pulley	
9	121613	1	Hus, blokk	House, block	
10	026060	1	Lager, kule	Bearing	
11	026894	1	Seegerring	Circlip	
12	121615	1	Hylse	Sleeve	
13	012270	1	Mutter	Hex Nut	
14	122097	1	Wirestyr	Guide	
15	012330	1	Bolt	Hex-Head Bolt	
16	135042	2	Ring	Sleeve	
17	026920	1	Seegerring	Circlip	
18	135040	1	Hylse, toppblokk	Sleeve top block	
19	026036	1	Lager, kule	Bearing	
20	158364	1	Trinse, topp	Pulley top	
21	012354	1	Skive	Washer	
22	012350	1	Mutter	Hex Nut	



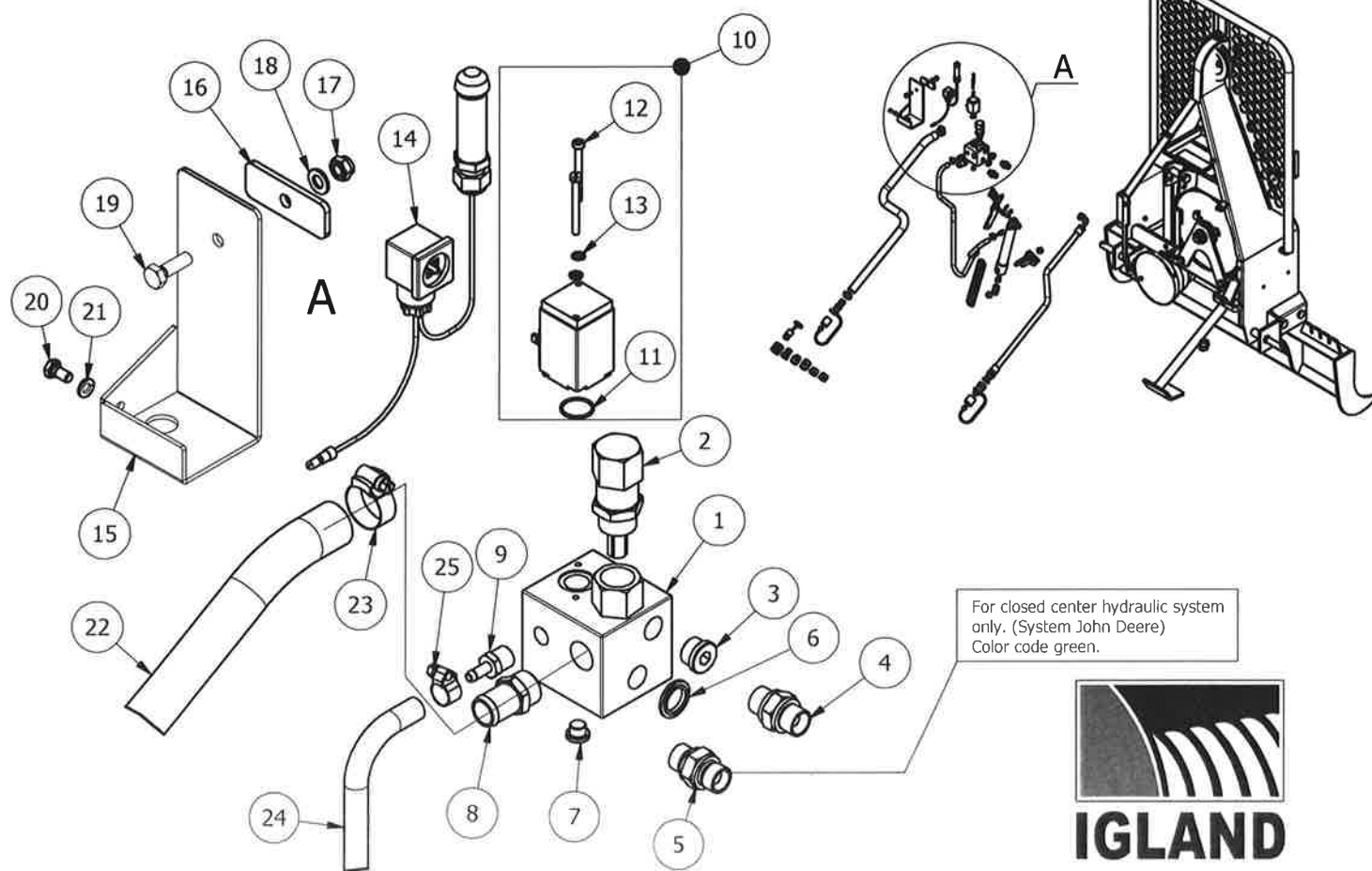
5:10



# IGLAND 3501 Tilleggsutstyr fjernbetjening

RESERVEDELSLISTE - SPARE PARTS LIST - ERSATZTEILLISTE

Pos	Art.No.	No	Beskrivelse	Description	Bezeichnung
1	090259	1	Ventilblokk	Valve block	
2	090293	1	Trykkreguleringsventil, kpl	Pressure control valve	
3	049801	1	Plugg	Plug	
4	048009	1	Overgang	Niple	
5	049851	1	Nippel, strupe	Niple, reducer	
6	047142	1	Skive m/ gummipakning	Washer w /rubber	
7	049802	1	Plugg	Plug	
8	049813	1	Nippel, slange	Niple, hose	
9	049814	1	Nippel, slange	Niple, hose	
10	090290	1	Magnetventil m/stav. kpl.	Solenoide valve	
11	024718	1	O-ring	O-ring	
12	013895	2	Skrue	Slotted Cheese Head Screw	
13	012036	2	Skive	Spring Washer	
14	095010	1	Håndkontroll	Hand control	
15	095063	1	Ventilblokkfeste	Valve block attach	
16	095064	1	Underlagsplate	Plate	
17	012198	1	Mutter	Hex Nut	
18	012194	1	Skive	Washer	
19	012762	1	Skrue	Hex-Head Bolt	
20	012676	1	Skrue	Hex-Head Bolt	
21	012115	1	Skive	Spring Washer	
22	044213	1	Slange	Hose	
23	017477	1	Slangeklemme	Hose clammer	
24	044058	1	Slange	Hose	
25	017485	1	Slangeklemme	Hose clammer	

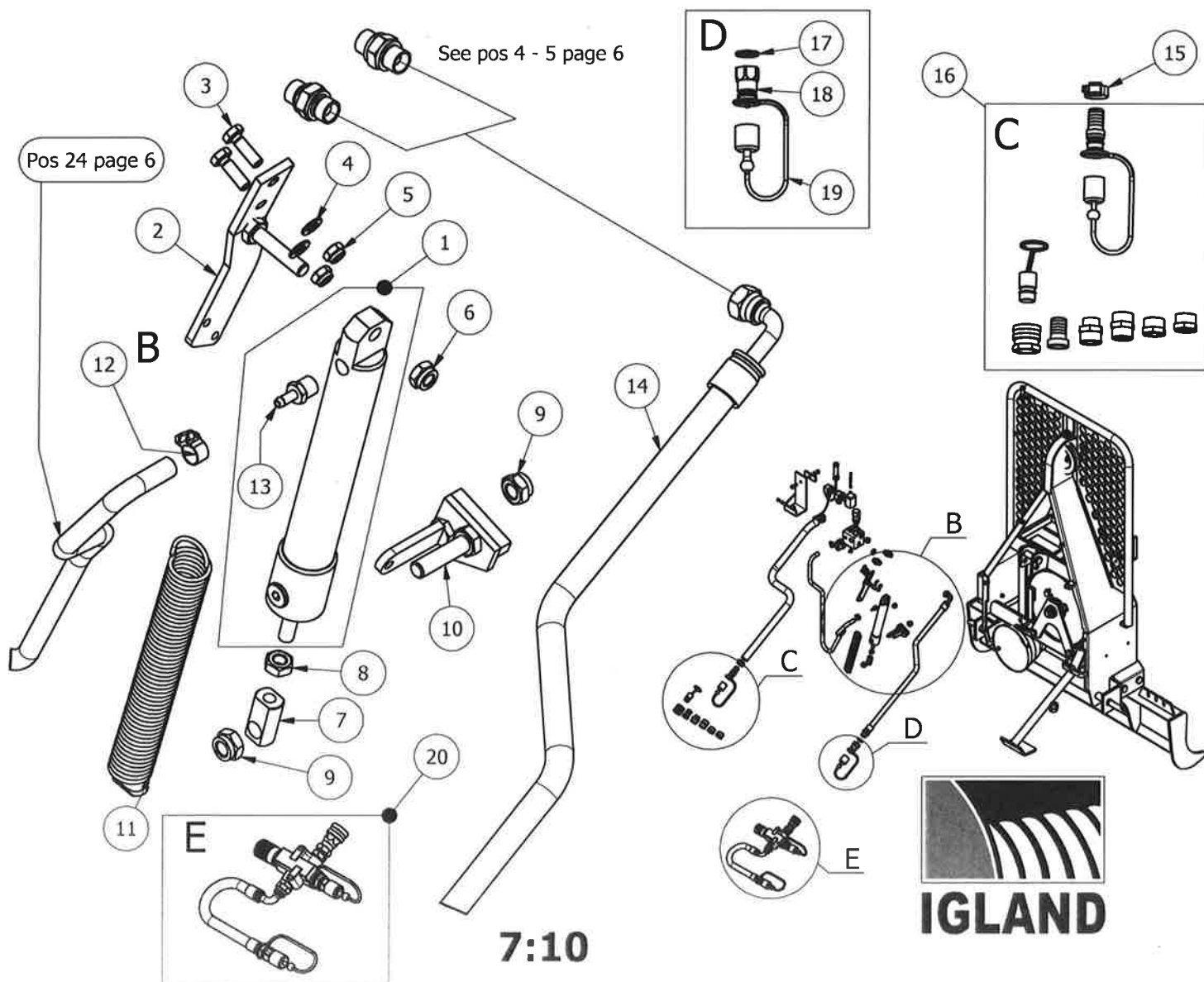


6:10

# IGLAND 3501 Tilleggsutstyr fjernbetjening

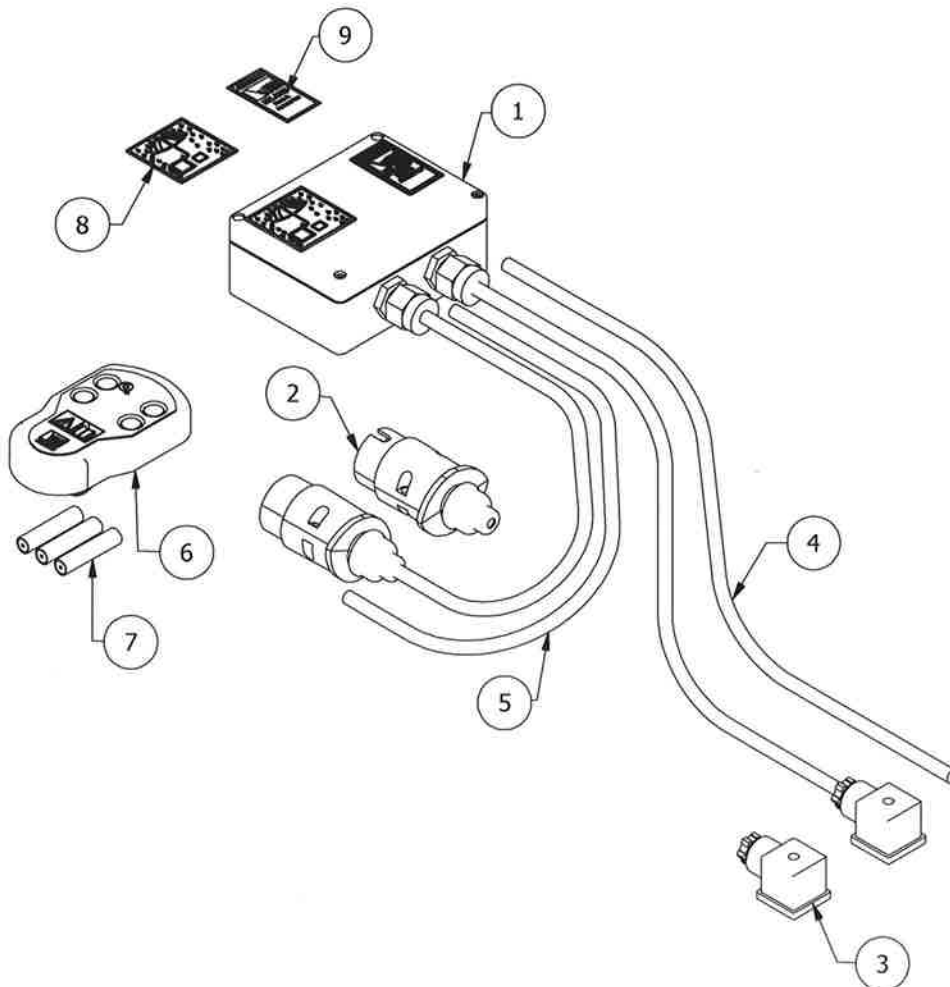
RESERVEDELSLISTE - SPARE PARTS LIST - ERSATZTEILLISTE

Pos	Art.No.	No	Beskrivelse	Description	Bezeichnung
-	025088	1	Pakningssett, for sylinder	Gasket set for cylinder	
1	095066	1	Sylinder, kpl.	Cylinder cpl.	
2	095061	1	Brakett for sylinder	Attach for cylinder	
3	012762	2	Skrue	Bolt	
4	012194	2	Skive	Washer	
5	012198	2	Mutter	Nut	
6	012231	1	Mutter	Nut	
7	163042	1	Sylinderøre påskrudd	Cylinder ear bolt on	
8	012237	1	Mutter	Nut	
9	012270	2	Mutter	Hex Nut	
10	095062	1	Brakett for stempel , spak	Bracket for piston, rod	
11	027283	1	Fjær, spiral til spak	Spring for rod	
12	017485	1	Slangeklemme	Hose clammer	
13	049814	1	Nippel, slange	Niple hose	
14	058863	1	Slange	Hose	
15	017477	1	Slangeklemme	Hose clammer	
16	049450	1	Returkobling universalsett	Anti counter pressure, set	
17	047143	1	Skive m/gummipakning	Washer w/rubber	
18	047032	1	Hurtigkobling	Quick coupler	
19	047033	1	Støvhette	Dust protection	
20	090378	1	Oljefordelerventil, kpl.	Oil flow control valve	



# IGLAND 3501 Tilleggsutstyr radiostyring 2,4 GHz

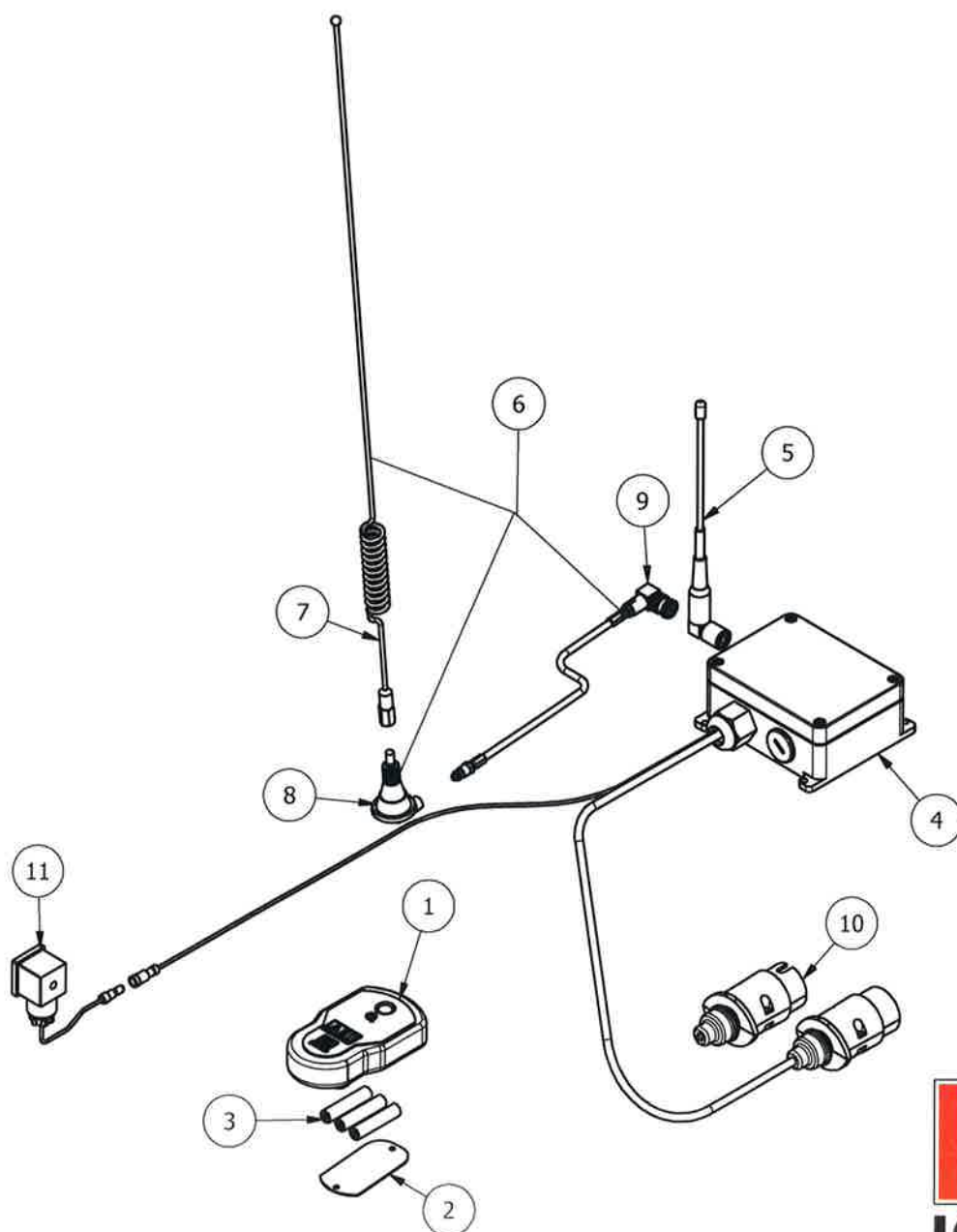
RESERVEDELSLISTE - SPARE PARTS LIST - ERSATZTEILLISTE					
Pos	Art.No.	No	Beskrivelse	Description	Bezeichnung
-	095452	1	Radio kontrollsett, kpl. Pos 1-9	Radio controlset, cpl. Pos 1-9	
1	095560	1	Mottaker 2,4GHz kpl. m/kabel og kontakter	Receiver 2,4 GHz	
2	090765	1	Tilhengerkontakt, 7 pol	Trailer contact, 7 pol	
3	095247	1	Strømtilkobling	Power connection	
4	028114	1	Kabel	Cable	
5	028113	1	Kabel	Cable	
6	095621	1	Radiosender 2,4GHz	Radio transmitter 2,4 GHz	
7	095370	3	Batteri 1,5V AAA	Batteri 1,5V AAA	
8	391426	1	Klebmerke	Sticker	
9	391427	1	Klebmerke	Sticker	





# IGLAND 3501 Tilleggsutstyr radiostyring 433 / 869 MHz

RESERVEDELSLISTE - SPARE PARTS LIST - ERSATZTEILLISTE					
Pos	Art.No.	No	Beskrivelse	Description	Bezeichnung
-	095440	1	Radiobetjening kpl.	Radio control, cpl.	
1	095521	1	Radiosender, 869MHz	Radio transmitter, 869 MHz	
	095361		Radiosender, 433MHz	Radio transmitter, 433 MHz	
2	095371	1	Batterilokk	Battery cover	
3	095370	3	Batteri 1,5V AAA	Battery 1,5v AAA	
4	095531	1	Mottaker, 869MHz N/A Bruk 095452	Receiver 869MHz N/A Use 095452	
	095381		Mottaker, 433MHz N/A Bruk 095452	Receiver 433MHz N/A Use 095452	
5	095539	1	Antennepisk, 869 MHz	Antenna whip, 869 MHz	
6	095289	1	Antenne komplett, 433MHz	Antenna cpl. 433MHz	
7	095291	1	Antennepisk, 433MHz	Antenna whip, 433 MHz	
8	095290	1	Antennefot, 433MHz	Antenna foot, 433MHz	
9	095292	1	Antennekabel, 433MHz	Antenna cable, 433MHz	
10	090765	1	Støpsel, 7 pol	7 pole contact	
11	095247	1	Kontakt, kpl.	Contact, cpl.	



9:10



**IGLAND**

# IGLAND 3501 Tilleggsutstyr turtallsregulering

RESERVEDELSLISTE - SPARE PARTS LIST - ERSATZTEILLISTE					
Pos	Art.No.	No	Beskrivelse	Description	Bezeichnung
-	091442	1	Turtallsreguleringssett, kpl	Speed control of tractor	
1	091444	1	Aktuator	Aktuator	
2	091421	1	Wire	Wire	
3	022328	1	Wireklammer	Wire clamp	
2	091438	1	Releekobling, kpl	Relay set, cpl.	
5	091439	2	Relee	Relay	
3	013906	1	Bolt	Bolt	
7	012078	1	Mutter	Nut	

